







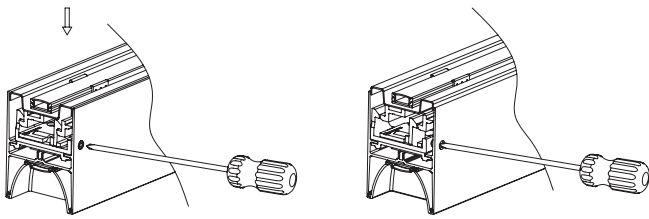






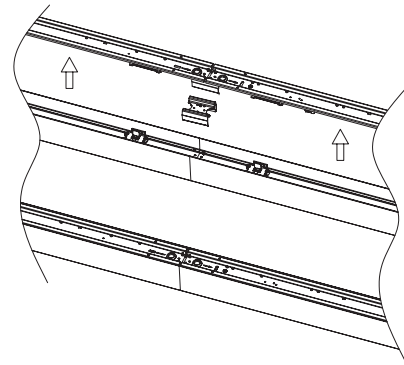


Step 5



Fix the module into ceiling plate, make connector hook hang the ceiling plate.

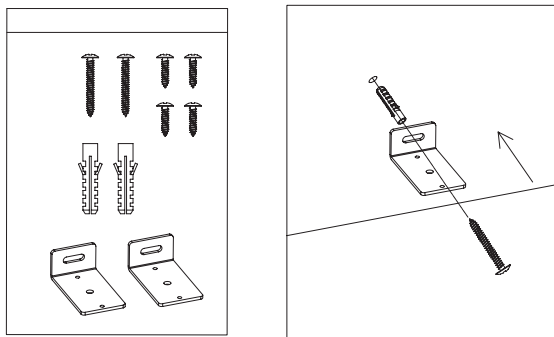
Step 6



Seamless connection: Joint ceiling plate with connect accessory by screws, fix the fixture on the ceiling plate through connector.

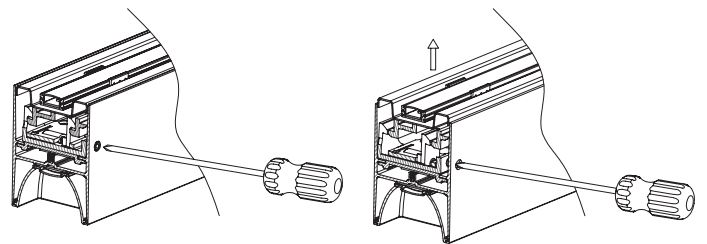
**Wall mounted installation:**

Step 1



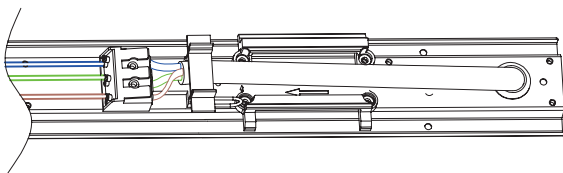
Knock the plastic anchors into the wall, fix the wall plate on the wall.

Step 2



Press the connectors, take out the ceiling plate.

Step 3

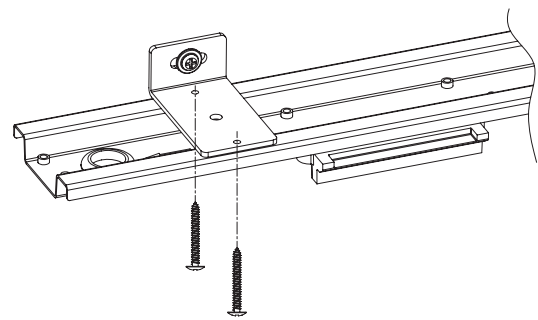


Standard	Emergency	DALI / 0-10V

L'=UNSWITCHED  
L=SWITCHED  
N=NEUTRAL  
DA/V+=DIM+  
DA/V-=DIM-  
⊕=GROUND

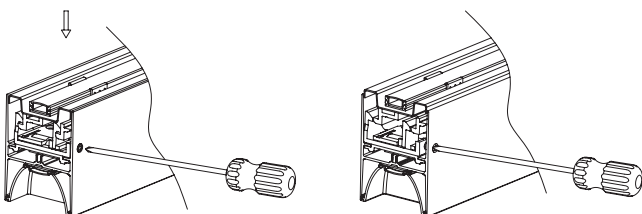
Connect the AC wires.

Step 4



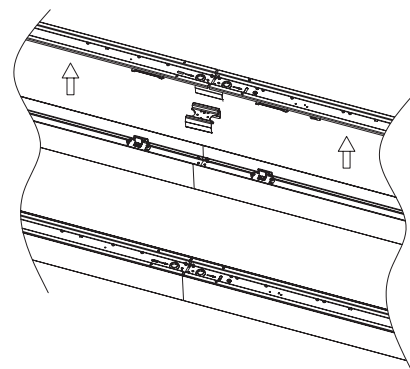
Fix the ceiling plate on the wall plate.

Step 5



Fix the module into ceiling plate, make connector hook hang the ceiling plate.

Step 6



Seamless connection: Joint ceiling plate with connect accessory by screws, fix the fixture on the ceiling plate through connector.