

LED Batten

UP66 Series

Introduction



◀ The 66A is a new linkable design light. Adopt high lumen efficiency SMD LED with even light output, aluminum light body providing excellent thermal management. With pendant, surface mounted, wall mounted installation available.

Features

1. Multiple installation: Pendant/surface mounted/wall mounted.
2. Modular design with convenient replacement.
3. High lumen efficiency, 110lm/w.
4. Interchangeable CCT(3000/4000/5700k) with slide switch.
5. DALI, 0-10V dimming for options.
6. With emergency function available.
7. Up and down light effect for wall mount and pendant installation.

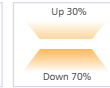
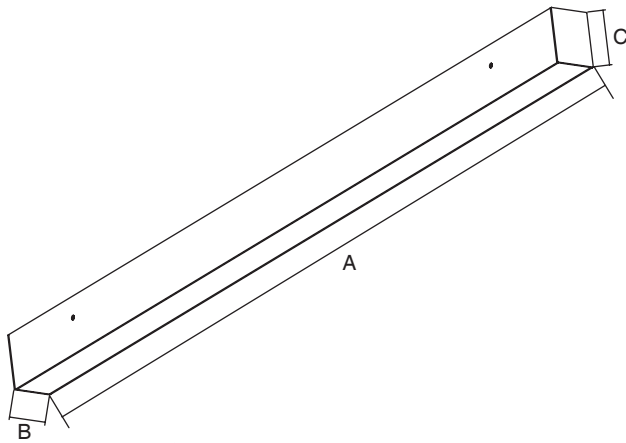
Application Areas

It is mainly used for traditional suspended installation such as workshop, utility rooms, garages and more.



Type A





Measurement

Model	Dimension(mm)			Size(mm)	Product Weight (Kg)		Package weight (Kg)		Carton Size(cm)	Qty/CTN	20GP (pcs)	40HQ (pcs)
	A	B	C		N.W/PC	G.W/PC	N.W/CTN	G.W/CTN				
1200	1204	56	75	1204*56*75	2.75	3	16.5	17.5	125*21*19.5	6	3168	7878
1500	1504	56	75	1504*56*75	3.35	3.65	20	21.5	155*21*19.5	6	2508	6240

Technical Data Sheet

Model No.	66A-1200-36W		66A-1200-50W		66A-1500-42W		66A-1500-60W	
Watt(W)	36W		50W		42W		60W	
Dimension(mm)	1204*56*75				1504*56*75			
Rated Input Voltage(V)	AC230V							
Input Voltage(V)	AC220-240V							
LED	SMD							
SDCM	<6							
CCT(K)	1-CCT: 3000K / 4000K / 5000K / 5700K 3-CCT: 3000K + 4000K + 5700K							
"Luminous Flux (lm) ±5%"	1-CCT	3700~3950	5000~5200	4400~4600	6200~6500			
	3-CCT	3700~4000	4900~5250	4400~4800	6200~6500			
CRI	>80							
Beam Angle (°)	120°							
UGR	-							
LED Driver	Built-in							
DIM	DALI,0-10V							
CCT Selection Switch	Yes							
Protection Class	Class I							
IP Rating	IP20							
IK Rating	IK06							
Finishing color	White RAL 9016							
Material	PC / Aluminum							
Lifetime (hr)	50,000h							
Glow wire test (°C)	750°C							
Operating Temp.(°C)	-20°C ~45°C							
Storage Temp.(°C)	-20°C ~65°C							
Installation	Surface mount / Pendant / Wall mount							

Driver Datasheet(Non-dimmable)

Power	36W	42W	50W	60W
Rated Input Voltage(V)	AC230V			
Frequency	50/60Hz			
Input Voltage	AC220-240V			
Efficiency	≥87%	≥87%	≥87%	≥87%
Total load wattage	36W±5%	42W±5%	50W±5%	60W±5%
Power Factor	0.9			
Rated Input Current	≤0.26A	≤0.4A	≤0.4A	≤0.4A
Full load output voltage	DC33-42V	DC33-42V	DC33-42V	DC33-42V
Rated output curent	950mA	1100mA	1300mA	1550mA
Output current range	950mA±5%	1100mA±5%	1300mA±5%	1550mA±5%
Power tolerance	±5%			
Current output tolerance	±5%			
Short circuit protection	PASS			
Over voltage protection	PASS			
Over temperature protection	PASS			
THD	≤20% @ 230VAC			
Surge	L-N: 1KV / L,N-PE: 2KV			
Withstand voltage	AC3750			

Driver Datasheet(DALI Dimmable)

Power	36W	42W	50W	60W
Rated Input Voltage(V)	AC230V			
Frequency	50/60Hz			
Input Voltage	AC220-240V			
Efficiency	≥87%	≥87%	≥87%	≥87%
Total load wattage	36W±5%	42W±5%	50W±5%	60W±5%
Power Factor	0.9			
Rated Input Current	≤0.22A	≤0.27A	≤0.32A	≤0.36A
Full load output voltage	DC20-50V	DC20-50V	DC20-50V	DC20-50V
Rated output curent	950mA	1100mA	1300mA	1550mA
Output current range	950mA±5%	1100mA±5%	1300mA±5%	1550mA±5%
Power tolerance	±5%			
Current output tolerance	±5%			
Dimming Range	0%~100%			
Short circuit protection	PASS			
Over voltage protection	PASS			
Over temperature protection	PASS			
THD	≤20% @ 230VAC			
Surge	L-N: 1KV / L,N-PE: 2KV			
Withstand voltage	AC3750			

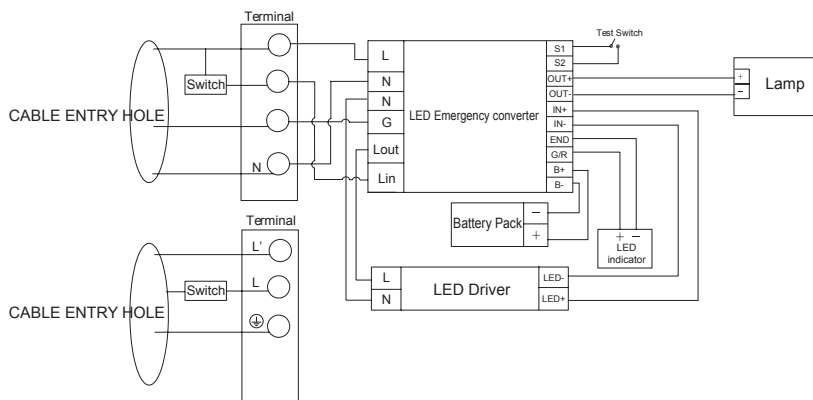
Driver Datasheet(0-10V Dimmable)

Power	36W	42W	50W	60W
Rated Input Voltage(V)	AC100-277V			
Frequency	50/60Hz			
Input Voltage	AC90-305V			
Efficiency	≥87%	≥87%	≥87%	≥87%
Total load wattage	36W±5%	42W±5%	50W±5%	60W±5%
Power Factor	0.9			
Rated Input Current	≤0.57A	≤0.57A	≤0.7A	≤0.8A
Full load output voltage	DC25-42V	DC25-42V	DC25-42V	DC25-42V
Rated output current	950mA	1100mA	1300mA	1550mA
Output current range	950mA±5%	1100mA±5%	1300mA±5%	1550mA±5%
Power tolerance	±5%			
Current output tolerance	±5%			
Dimming Range	0%~100%			
Short circuit protection	PASS			
Over voltage protection	PASS			
Over temperature protection	PASS			
THD	≤20% @ 230VAC			
Surge	L-N: 1KV / L,N-PE: 2KV			
Withstand voltage	AC3750			

Driver Datasheet (Emergency)

Power	3W
Rated Input Voltage(V)	AC230V
Frequency	50/60Hz
Input Voltage	AC200-240V
Total load wattage	3W±0.5W
Rated Input Current	≤0.023A
Battery	7.4V 2200mAh
Lifetime	30000hrs(battery changeable)
Battery duration	≥3hrs
Charge Period	≥24hrs
Emergency switching time	≤ 1S

Wiring Diagram:



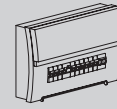
Cable connection

Mark	Description	Building wiring cable
L	Switched Active	Switch cable
L'	Unswitched Active	Unswitch cable
	Earth	Earth cable
N	Neutral	Neutral cable

Installation Procedure

WARNING

1. Switch off before installation / maintenance.
2. Switch on only after complete installation and examination of the circuit.
3. Professional electrician for installation and maintenance only.

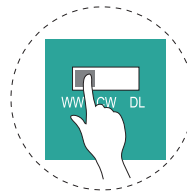


**Turn Off
Power Supply**

Turn Off power supply before starting any installation. Read instructions & check you have all the tools & accessories to complete the installation correctly.

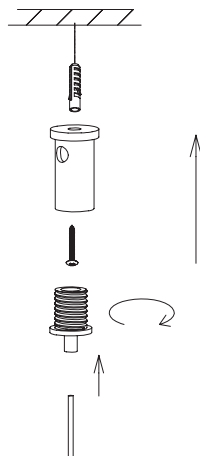
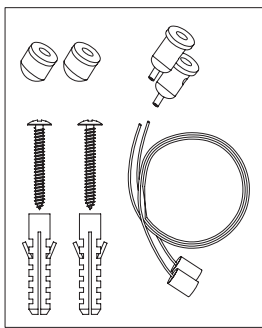
Installation:

For the product with Slide Switch of CCT selection, please select the CCT (WW/CW/DL) before installation.



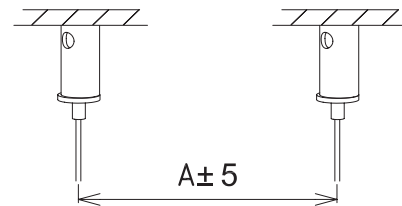
Suspended installation:

Step 1



Fix the holders of suspending ropes on the ceiling.

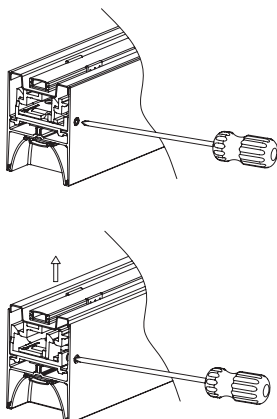
Step 2



Model	A±10
1200mm	1056mm
1500mm	1356mm

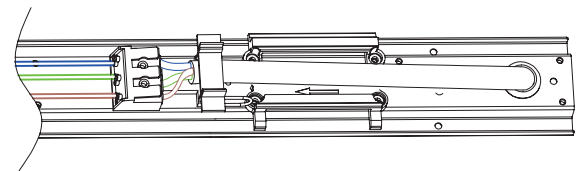
Keep the proper distances of the 2pcs suspending ropes as below table.

Step 3



Press the connectors, take out the ceiling plate.

Step 4

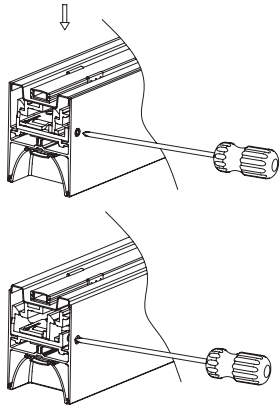


Standard	Emergency	DALI / 0-10V

L'=UNSWITCHED
L=SWITCHED
N=NEUTRAL
DA/V+=DIM+
DA/V-=DIM-
⊕ =GROUND

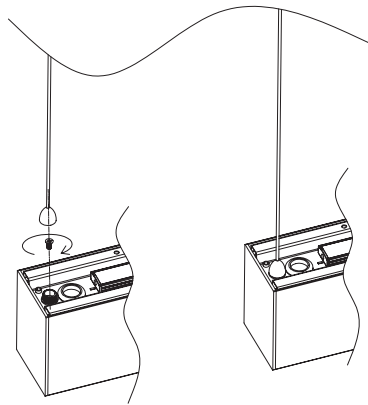
Connect the AC wires.

Step 5



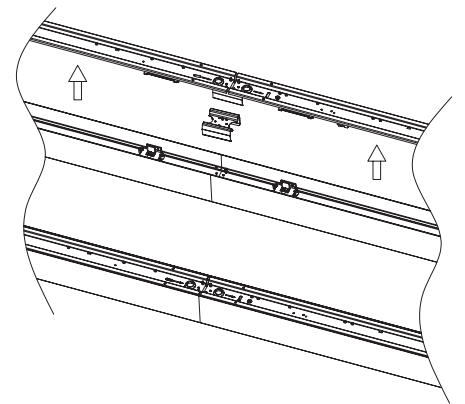
Fix the module to the ceiling plate by pressing the connectors.

Step 6



Fix the suspending accessories on the lamp.

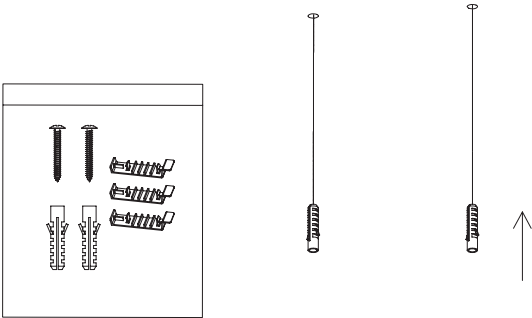
Step 7



Seamless connection: Joint ceiling plate with connect accessory by screws, fix the fixture on the ceiling plate through connector.

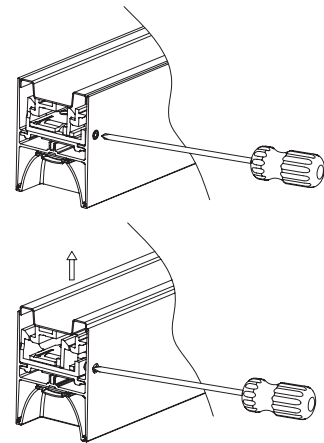
■ Surface mounted installation:

Step 1



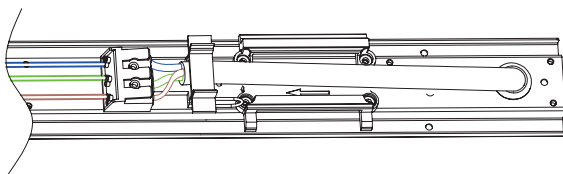
Knock the plastic anchors into ceiling.

Step 2



Press the connectors, take out the ceiling plate.

Step 3

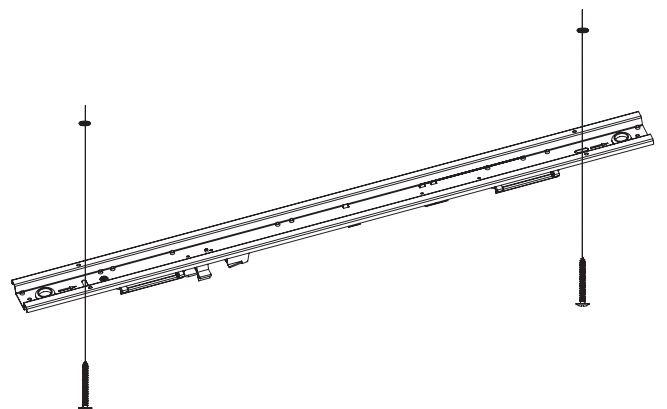


Standard	Emergency	DALI / 0-10V

L'=UNSWITCHED
 L=SWITCHED
 N=NEUTRAL
 DA/V+=DIM+
 DA/V-=DIM-
 ⊕ =GROUND

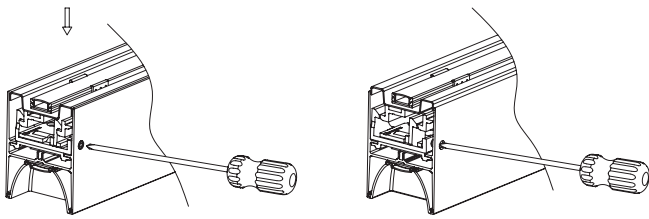
Connect the AC wires.

Step 4



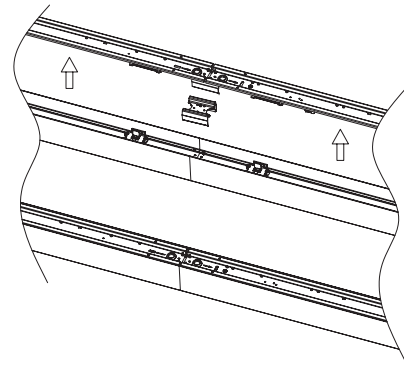
Fix the ceiling plate on the ceiling.

Step 5



Fix the module into ceiling plate, make connector hook hang the ceiling plate.

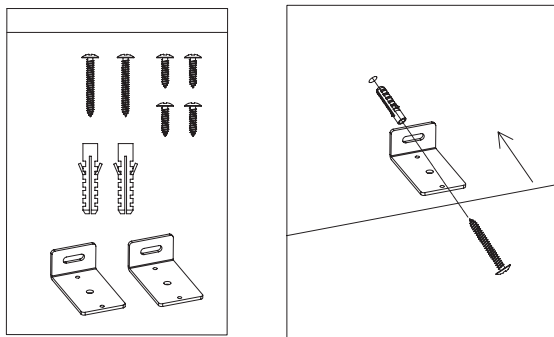
Step 6



Seamless connection: Joint ceiling plate with connect accessory by screws, fix the fixture on the ceiling plate through connector.

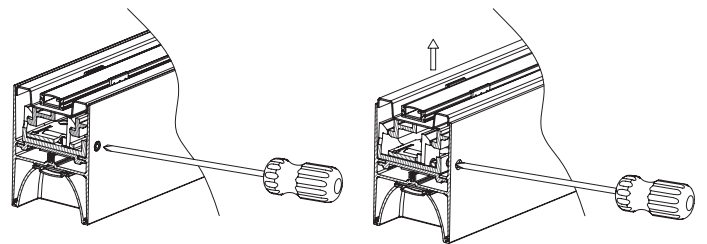
Wall mounted installation:

Step 1



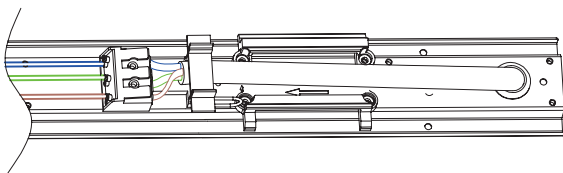
Knock the plastic anchors into the wall, fix the wall plate on the wall.

Step 2



Press the connectors, take out the ceiling plate.

Step 3

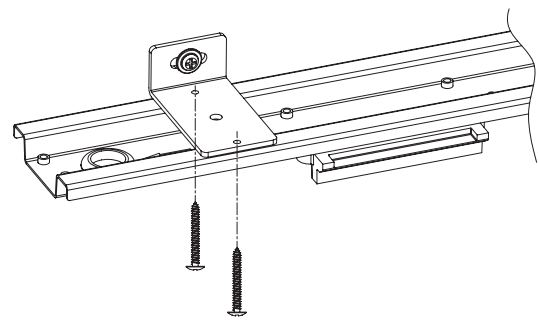


Standard	Emergency	DALI / 0-10V

L'=UNSWITCHED
L=SWITCHED
N=NEUTRAL
DA/V+=DIM+
DA/V-=DIM-
⊕=GROUND

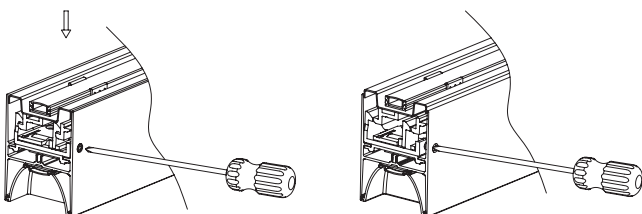
Connect the AC wires.

Step 4



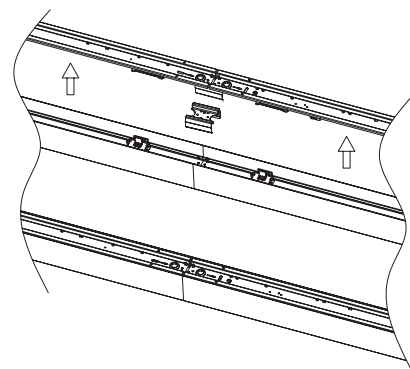
Fix the ceiling plate on the wall plate.

Step 5



Fix the module into ceiling plate, make connector hook hang the ceiling plate.

Step 6



Seamless connection: Joint ceiling plate with connect accessory by screws, fix the fixture on the ceiling plate through connector.