

G3 Park LED light



G3 Park LED

170
LM/W

- Die-cast Housing
- With tempered glass
- Surge Protection 6KV
- With Anti-UV lens



Smooth Surface
Eliminate the risk of dust and water accumulation



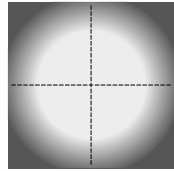
Streamlined design
minimize light loss

IP66

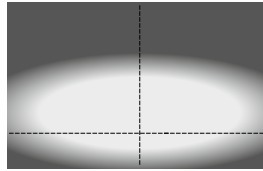




The symmetric light distribution is ideal for illuminating squares, plazas and other open areas while the asymmetric light distribution is ideal for illuminating streets and pathways.

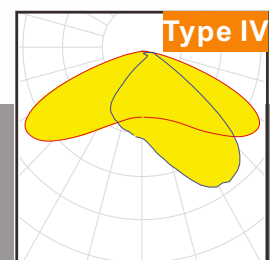
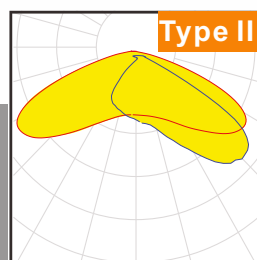
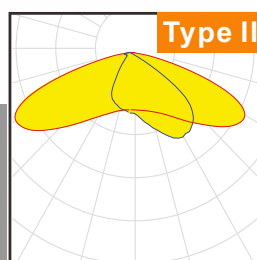
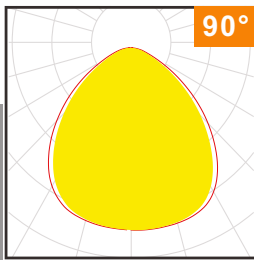


Symmetric

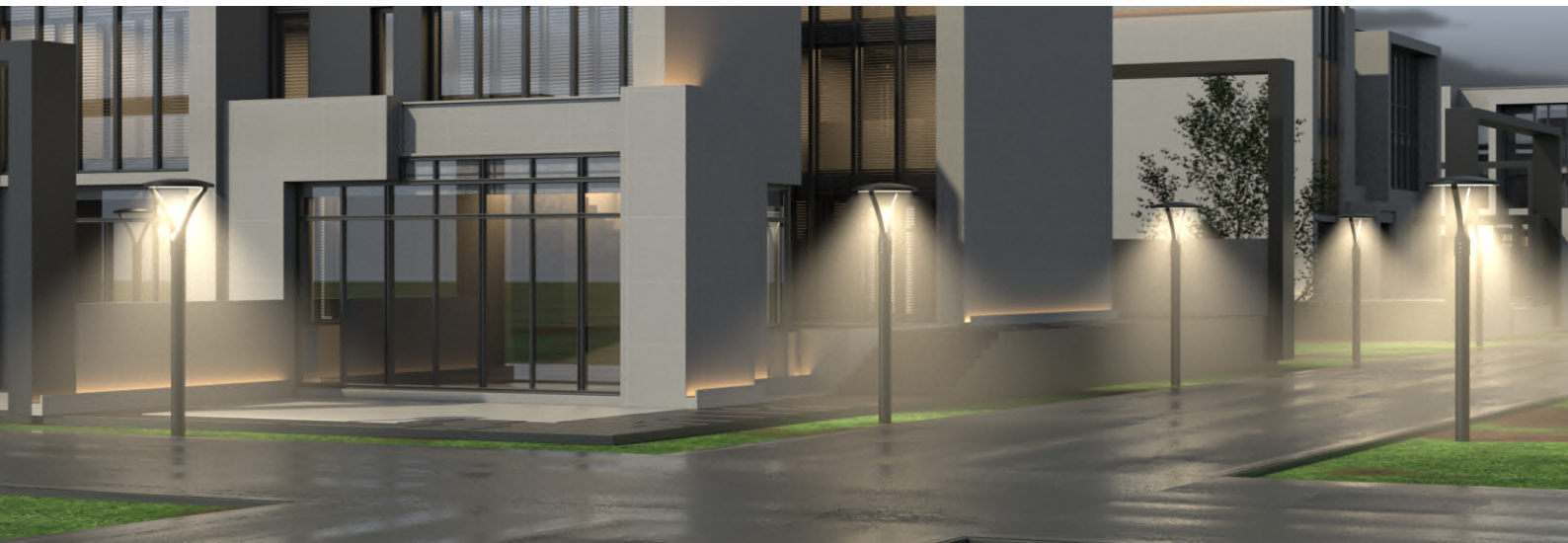


Asymmetric

Professional Optics



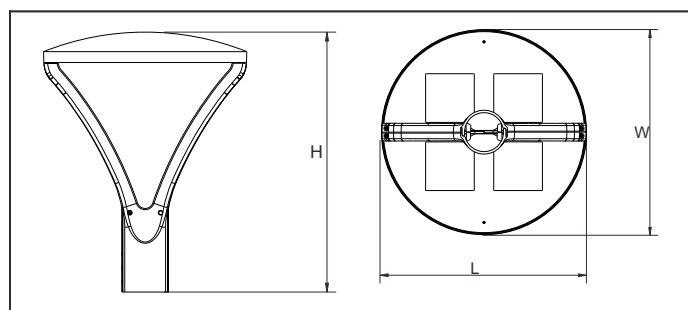
IESNA STANDARD	Roadway width / Mounting Height	
	One side mounting	Both side mounting
Type II	Up to 1 times MH	Up to 2 times MH
Type III	Up to 1.5 times MH	Up to 3 times MH
Type IV	Up to 2 times MH	Up to 4 times MH





Features

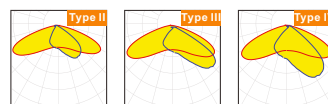
Housing: Die-cast Aluminum
 Thermal Conductivity: 96 W/m·K
 Led: Philips
 CRI: Ra>70
 SDCM: <6
 Power Factor: >0.95
 THD: <15
 Driver: MEANWELL/MOSO/SOSEN
 Driver Efficiency: >93%
 Protection: OTP, OCP, OVP, SCP
 Surge Protection: 6KV
 Waterproof: IP66
 Impact Test: IK08
 Electrical: 100-277V, 50/60Hz
 Operating Temperature: -40~50 °C
 TM21 of LEDs: L90B10 >100,000H
 Lifetime of driver: >50,000H



Functions

PWM · DALI · 0/1~10V

Optical options:



170 lm/w

5 YEARS WARRANTY

Meanwell Driver

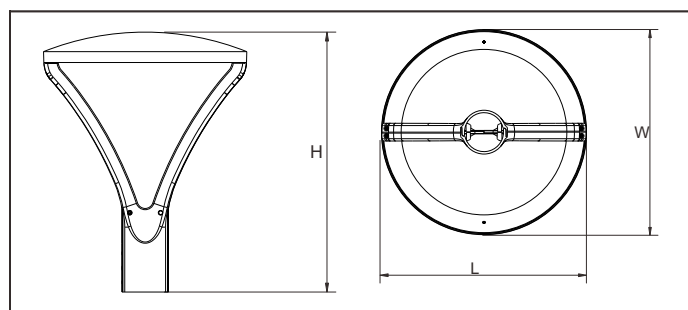
Philips LED

Model	Watt	Voltage	Lumen	CRI	IP	Dimension
G3-030HE1H-P	30W	100~277V	5100LM	>70	IP66	L422*W422*H539MM
G3-040HE1H-P	40W	100~277V	6800LM	>70	IP66	L422*W422*H539MM
G3-060HE1H-P	60W	100~277V	9600LM	>70	IP66	L422*W422*H539MM
G3-090HE1H-P	90W	100~277V	13500LM	>70	IP66	L422*W422*H539MM



Features

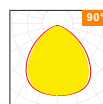
Housing: Die-cast Aluminum
 Thermal Conductivity: 96 W/m·K
 LED: Philips
 CRI: Ra>70
 SDCM: <6
 Power Factor: >0.95
 THD: <15
 Driver: MEANWELL/MOSO/SOSEN
 Driver Efficiency: >93%
 Protection: OTP, OCP, OVP, SCP
 Surge Protection: 6KV
 Waterproof: IP66
 Impact Test: IK08
 Electrical: 100-277V, 50/60Hz
 Operating Temperature: -40~50 °C
 TM21 of LEDs: L90B10 >100,000H
 Lifetime of driver: >50,000H



Functions

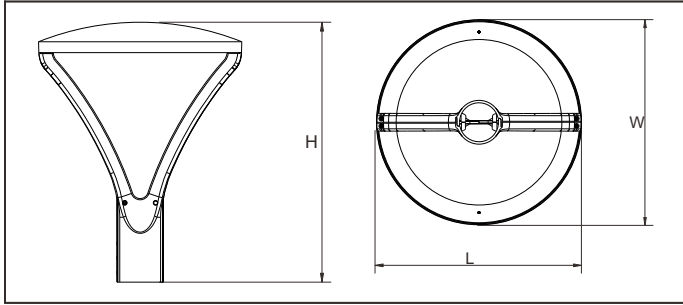
PWM · DALI · 0/1~10V

Optical options:



Model	Watt	Voltage	Lumen	CRI	IP	Dimension
G3-030HEGH-P	30W	100~277V	4500LM	>70	IP66	L422*W422*H539MM
G3-040HEGH-P	40W	100~277V	6000LM	>70	IP66	L422*W422*H539MM
G3-060HEGH-P	60W	100~277V	9000LM	>70	IP66	L422*W422*H539MM
G3-090HEGH-P	90W	100~277V	13500LM	>70	IP66	L422*W422*H539MM

Packing



Model	Outer Carton (mm)	QTY/CTN	N.W. (kg)	G.W. (kg)
G3-030GE	520 470 227	1	5.7	6.8
G3-040GE	520 470 227	1	5.7	6.8
G3-060GE	520 470 227	1	5.7	6.8
G3-090GE	520 470 227	1	5.7	6.8