



Tri-Proof EX Series *Explosion proof*

This hazardous area explosion proof light has good explosion-proof function and is suitable for explosives of Zone I, Zone II and Zone 21, Zone 22 include gas environment and various inflammable and explosive places. It's mainly used in railway, electric power, metallurgy, petroleum, petrochemical, chemical, steel, aviation, ship and various types of factories, stations, large facilities, venues and other places.

Tri-Proof EX

LED INDUSTRIAL EXPLOSION-PROOF LIGHT

Benchmarking enterprise in the field of industrial
explosion-proof lighting

IP66

140LM/W

20/40/60/75W



Grey and Yellow Coating for option

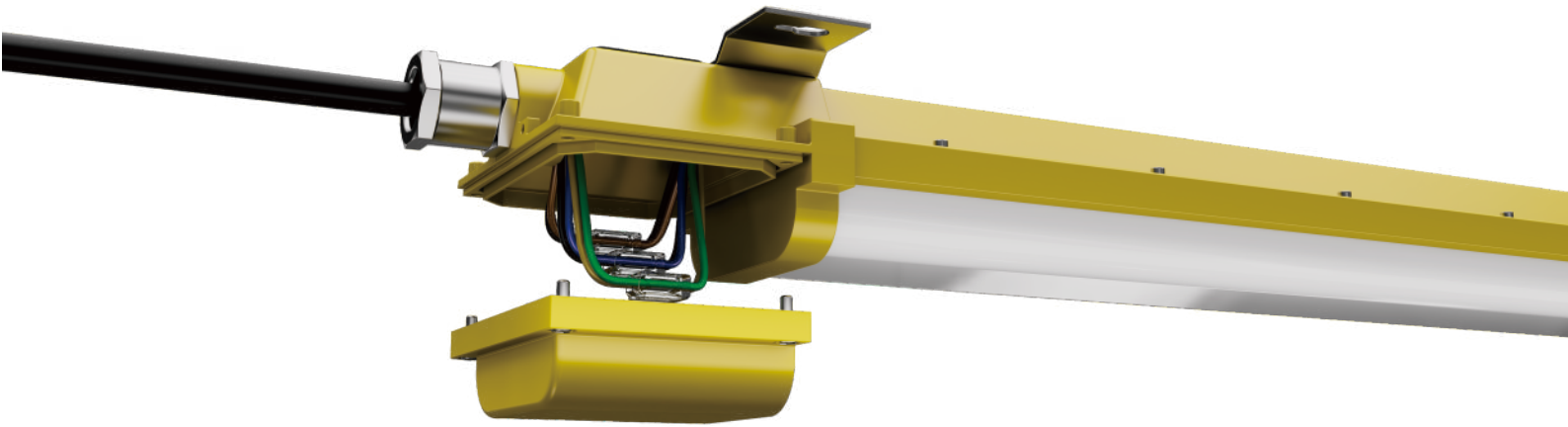
ATEX

Certified

II 2G Ex eb mb IIC T6 Gb
II 2D Ex tb IIIC T(110°C) Db



Our ATEX lighting products are certified according to the ATEX directives. With high efficiency and energy savings, this LED luminaire for ATEX environments have been designed for installation in areas with risk of explosion in gas and oil facilities, petrochemical and industry, and so on.

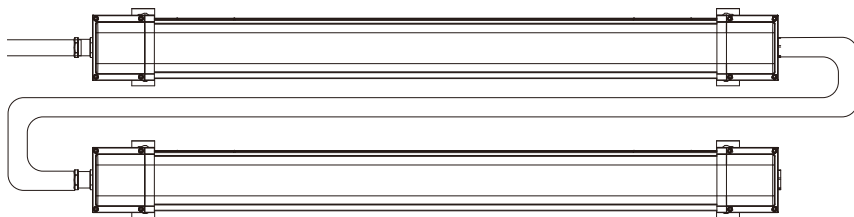


Wago connectors

Easy Rewiring
Cost Saving

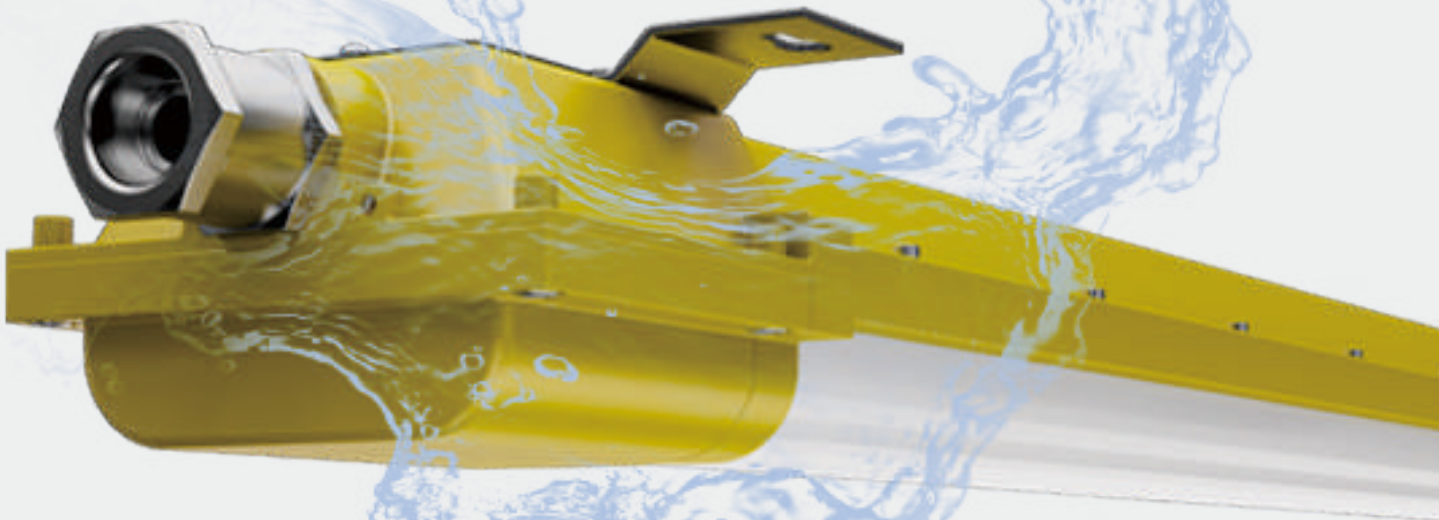
With 3x2.5mm² wired through and gland on both sides, it can be linkable in series to save installation cost.

Linkable in Series



IP66

Adopt special silicone sealing ring, which has the characteristics of anti-aging, high and low temperature resistance and strong sealing performance; With high-precision machining technology, the product protection level can reach Ip66;



WF2 Anticorrosive

The surface of the lamp body is treated by high-voltage electrostatic spraying, which has the characteristics of high corrosion resistance and rust prevention, and is especially suitable for working in harsh environments, the anti corrosion level can reach Wf2.

Excellent Heat Conductivity

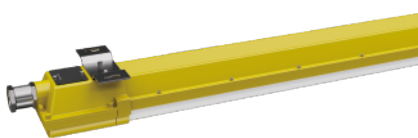
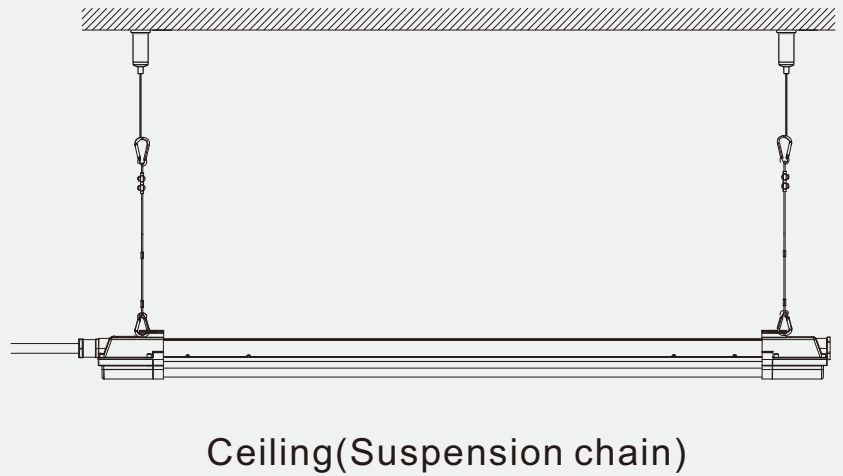
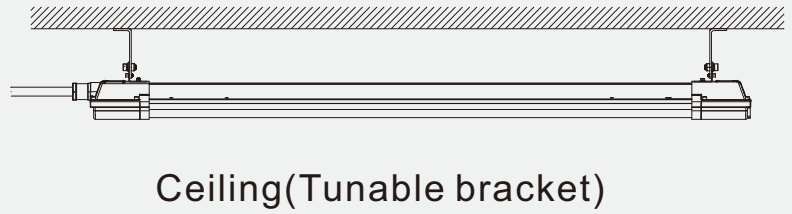
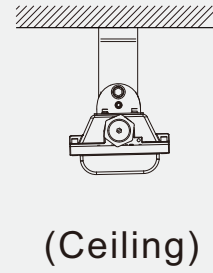
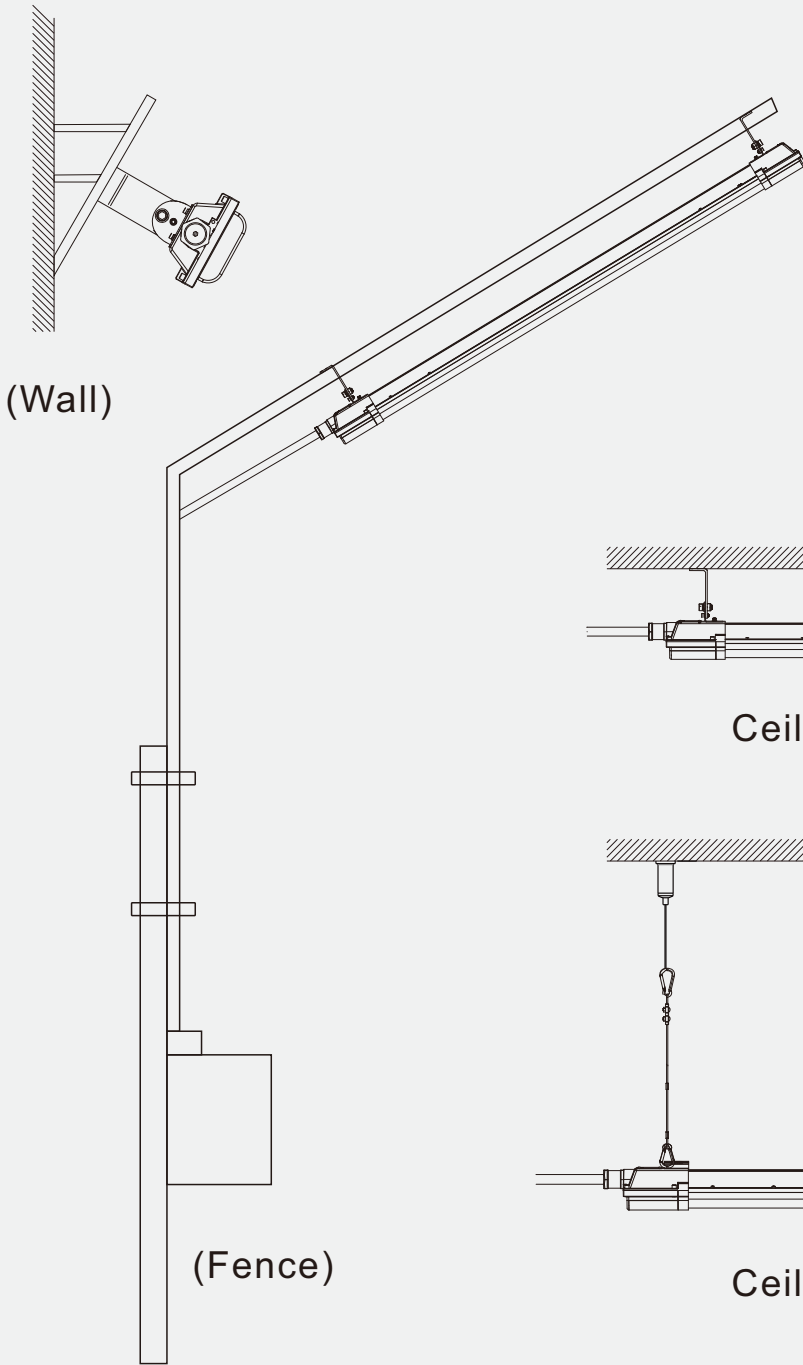
A6063 alloy aluminum material



Structural heat dissipation design

- ◇ *The whole lamp adopts air diversion and heat dissipation structure design;*
- ◇ *The radiator adopts special A6063 alloy aluminum material for die casting, which is formed by high pressure die casting, with high strength, fast heat conduction and strong heat dissipation;*
- ◇ *Adopt silicone grease with thermal conductivity of 3.0, which can conduct heat more quickly*

Examples of mounting



Fixed bracket



Tunable bracket



Hanging chain

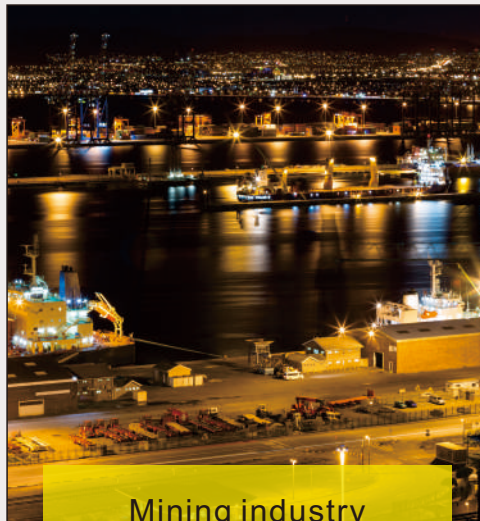
Application

Zone 1 Zone 2
Zone 21 Zone 22

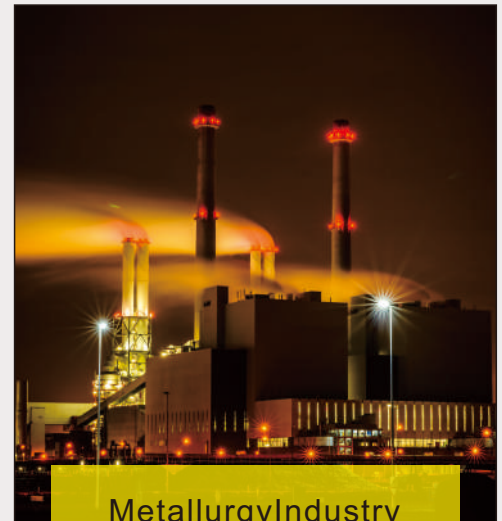
Applied to oil fields, oil refineries, offshore oil platform, power plants, gas stations, oil tanks, wharf tunnel, pumping station, substation, the military base, etc. Zone I and Zone II Hazardous Locations, Zone 20, Zone 21, Zone 22 and II A, IIB, IIC explosive gas atmosphere.



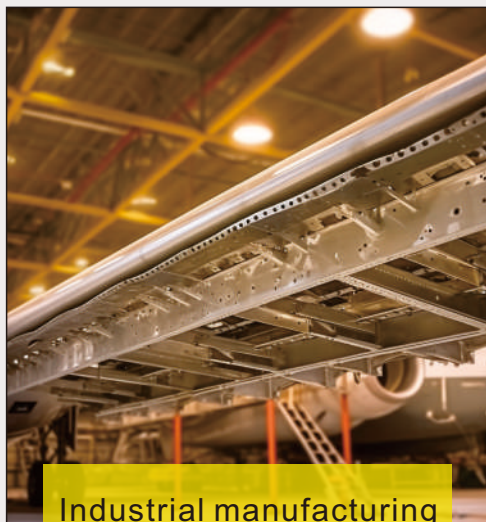
Chemical plant



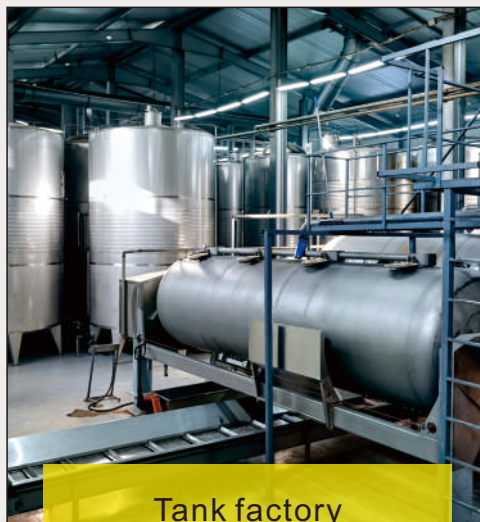
Mining industry



Metallurgy Industry



Industrial manufacturing



Tank factory



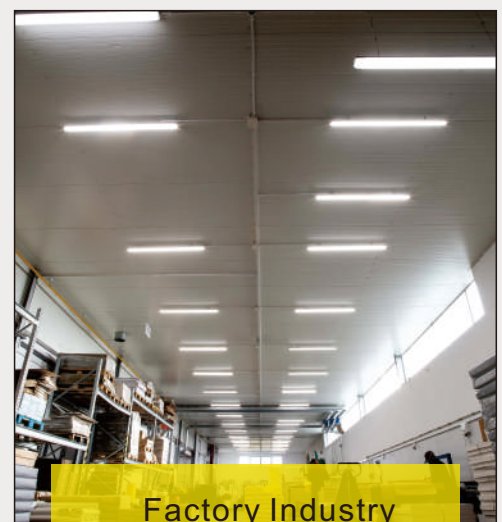
Iron industry



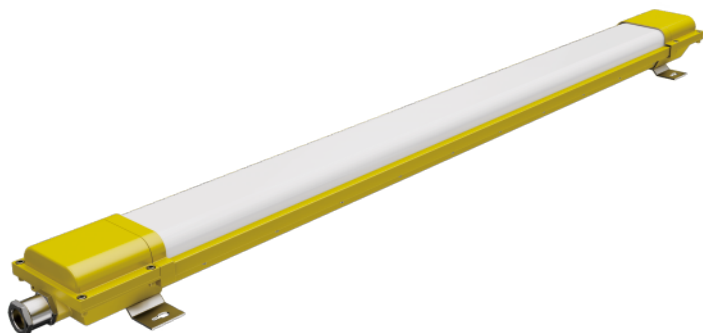
Ship Industry



Storehouse

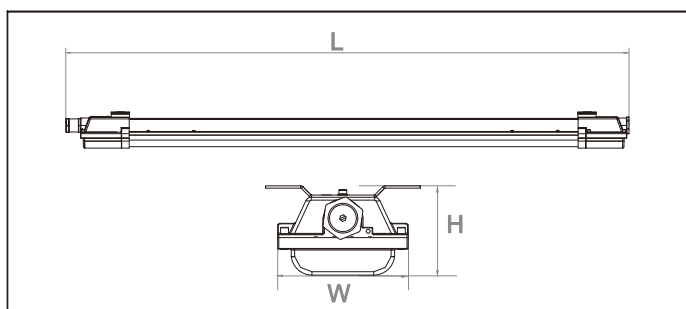


Factory Industry



Features

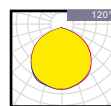
Housing: Pure Aluminum A6063
 Thermal Conductivity: 226 W/m·K
 LED: BRIDGELUX SMD2835
 CRI: Ra>80
 SDCM: <6
 Power Factor: >0.95
 THD: <15
 Driver: TRIDONIC Driver
 Driver Efficiency: >92%
 Protection: OTP, OCP, OVP, SCP
 Surge Protection: 4KV
 Waterproof: IP66
 Impact Test: IK10
 Corrosion Proof: WF2
 Electrical: 220-240V, 50/60Hz
 Operating Temperature: -25~45 °C
 TM21 of LEDs: L90B10>50.000H
 Lifetime of driver: 50.000H



Functions

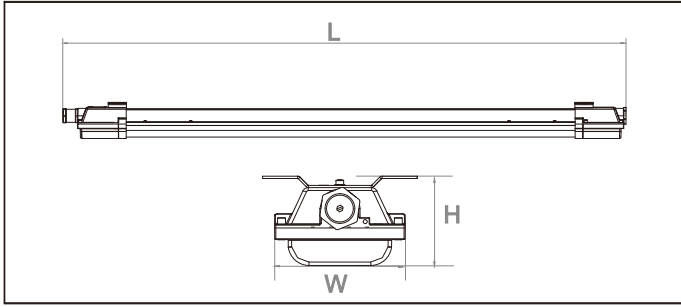
ZigBee · PWM · DALI · 0/1~10V

Optical options:



Model	Watt	Voltage	Lumen	CRI	IP	Dimension
TP-EX020ME2G-BR	20W	220~240	2800LM	>80	IP66	599*135*78mm
TP-EX040ME2G-BR	40W	220~240	5600LM	>80	IP66	599*135*78mm
TP-EX040ME4G-BR	40W	220~240	5600LM	>80	IP66	1199*135*78mm
TP-EX060ME4G-BR	60W	220~240	8400LM	>80	IP66	1199*135*78mm
TP-EX075ME4G-BR	75W	220~240	10500LM	>80	IP66	1199*135*78mm

Packing



Model	L*W*H (MM)	Inner Carton(mm)			QTY/ INNER CTN	Outer Carton(mm)			QTY/ Outer CTN	NW/CTW	GW/CTW
TP-EX020ME2G-BR	599*135*78	/	/	/	/	755	160	115	1	3.26	4.04
TP-EX040ME2G-BR	599*135*78	/	/	/	/	755	160	115	1	3.26	4.04
TP-EX040ME4G-BR	1199*135*78	/	/	/	/	1355	160	115	1	4.20	4.95
TP-EX060ME4G-BR	1199*135*78	/	/	/	/	1355	160	115	1	4.20	4.95
TP-EX075ME4G-BR	1199*135*78	/	/	/	/	1355	160	115	1	4.20	4.95