



NIX series LED Street Light

Street lighting is a core piece of urban and rural infrastructure. Lighting helps to create a safe environment for both pedestrians and drivers. Many streetlights around the world are now being updated to LED lighting, which uses less energy and is more reliable than traditional sodium lamps, significantly reducing the cost of keeping streets illuminated.

Designed from the ground up as a totally optimized LED street and area lighting system, our street light delivers incredible efficiency without sacrificing application performance.





Street Light

IP66, IK10

6~20kv Surge Protection

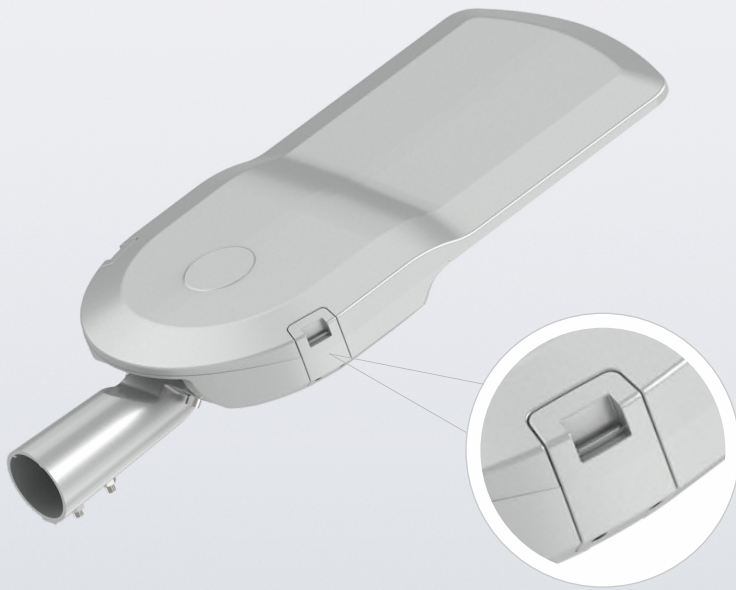
High bright 160lm/w



Tempered Glass
PMMA lens

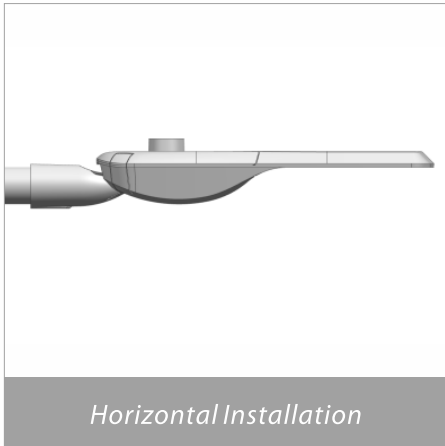


Smooth back cover design
Anti-dust and bird droppings

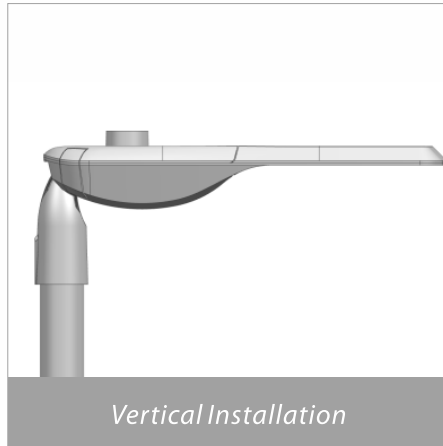


Tool-free open design
Easy to rewire and repair

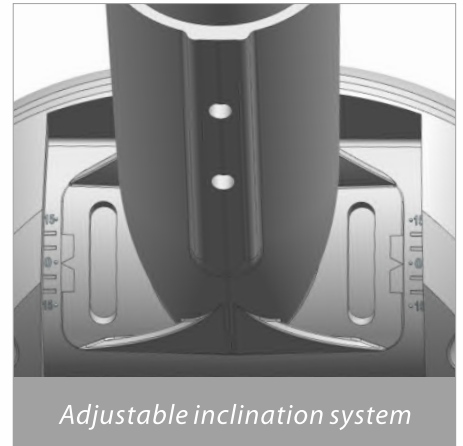
Precise Angle Rotation



Horizontal Installation



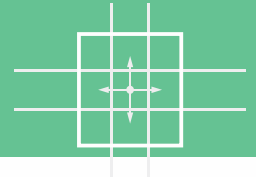
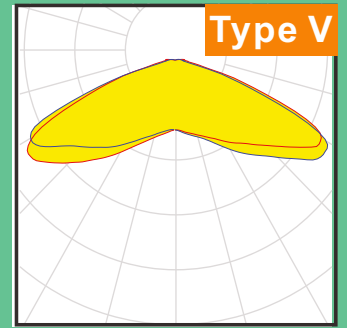
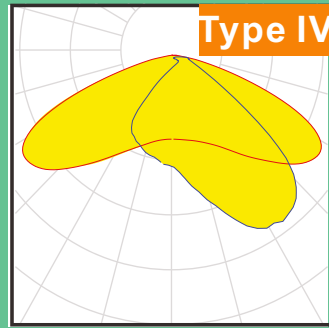
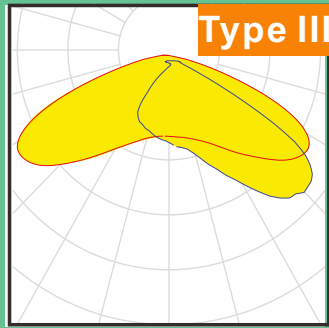
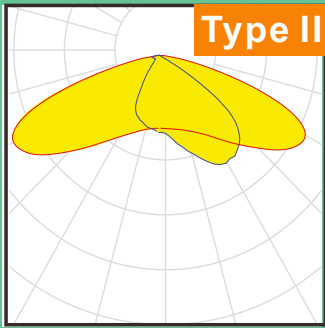
Vertical Installation



Adjustable inclination system

IP66 Waterproof
6kv/20kv Surge Protection

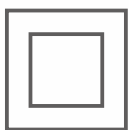
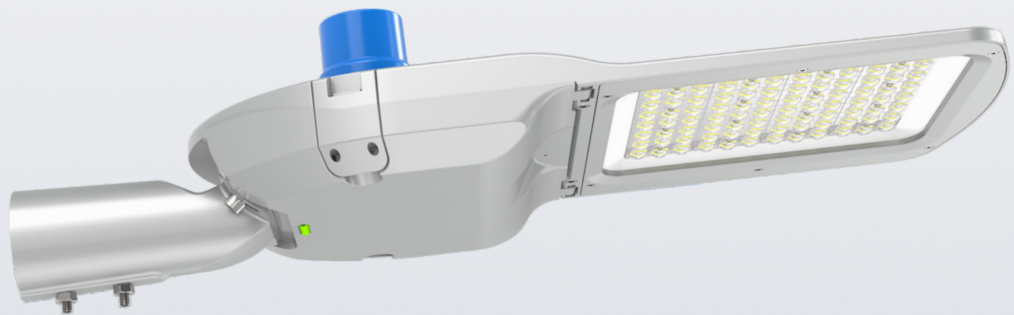
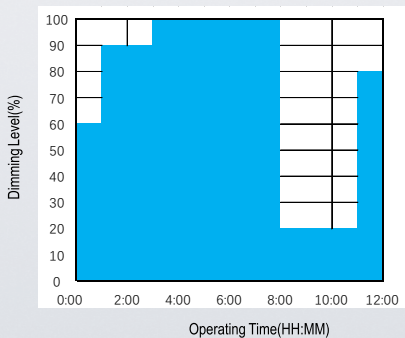




| IESNA STANDARD | Roadway width / Mounting Height | |
|----------------|---------------------------------|--------------------|
| | One side mounting | Both side mounting |
| Type II | Up to 1 times MH | Up to 2 times MH |
| Type III | Up to 1.5 times MH | Up to 3 times MH |
| Type IV | Up to 2 times MH | Up to 4 times MH |
| Type V | Up to 4 times MH | |

Auto dimming & Timming function

Easy to manage, more saving



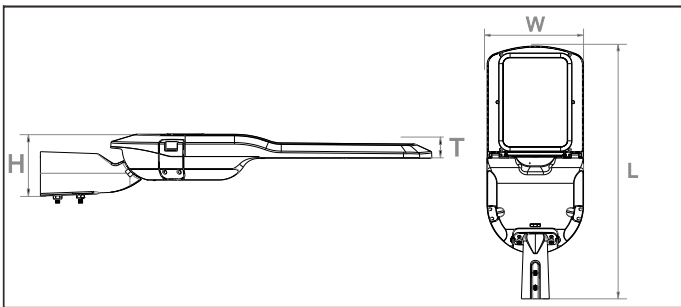
Class II

Class II is sometimes known as “double insulated”. This is an IEC protection class and refers to the power supply’s internal construction and electrical insulation. The output is considered safe to contact and no major safety protection is required at the LED/luminaire level. There is no risk of fire or electric shock.



Features

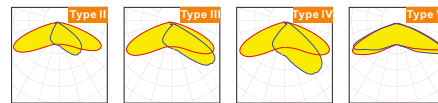
- Housing: Die-cast Aluminum
- Thermal Conductivity: 96 W/m·K
- Led: CREE
- CRI: Ra>70
- SDCM: <6
- Power Factor: >0.95
- THD: <15
- Driver: Meanwell XLG
- Driver Efficiency: >90%
- Protection: OTP, OCP, OVP, SCP
- Surge Protection: 6-20KV
- Waterproof: IP66
- Impact Test: IK10
- Electrical: 100-277V, 50/60Hz
- Operating Temperature: -40~50 °C
- TM21: L90B10>60,000H
- Lifetime: 100,000H



Functions

DALI · 0/1~10V · Timing · Program · Always-on Auxiliary

Optical options:



140
~160lm/w

5 YEARS
WARRANTY

Meanwell
Driver

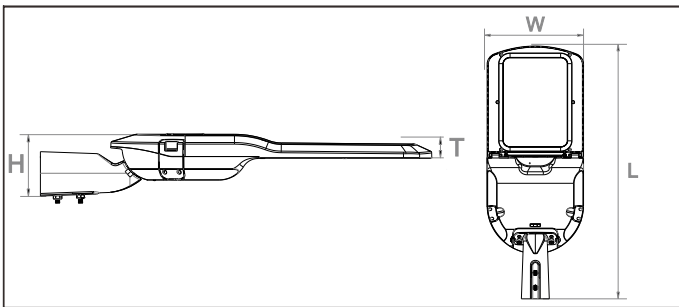
CREE
LED

| Model | Watt | Voltage | Lumen | CRI | IP | Dimension |
|---------------|------|----------|---------|-----|------|------------------|
| NIX024PE1G-CM | 24W | 100~277V | 3840LM | >70 | IP66 | L568*W200*H109mm |
| NIX040PE1G-CM | 40W | 100~277V | 6400LM | >70 | IP66 | L568*W200*H109mm |
| NIX060PE1G-CM | 60W | 100~277V | 9000LM | >70 | IP66 | L568*W200*H109mm |
| NIX080PE1G-CM | 80W | 100~277V | 12000LM | >70 | IP66 | L613*W240*H109mm |
| NIX100PE1G-CM | 100W | 100~277V | 15000LM | >70 | IP66 | L613*W240*H109mm |
| NIX120PE1G-CM | 120W | 100~277V | 16800LM | >70 | IP66 | L613*W240*H109mm |
| NIX150PE1G-CM | 150W | 100~277V | 21000LM | >70 | IP66 | L683*W260*H109mm |
| NIX180PE1G-CM | 180W | 100~277V | 25200LM | >70 | IP66 | L693*W300*H109mm |
| NIX200PE1G-CM | 200W | 100~277V | 28000LM | >70 | IP66 | L693*W300*H109mm |



Features

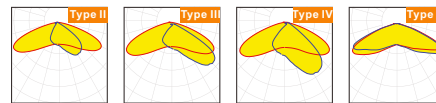
Housing: Die-cast Aluminum
 Thermal Conductivity: 96 W/m·K
 Led: CREE
 CRI: Ra>70
 SDCM: <6
 Power Factor: >0.95
 THD: <15
 Driver: PHILIPS
 Driver Efficiency: >90%
 Protection: OTP, OCP, OVP, SCP
 Surge Protection: 6-20KV
 Waterproof: IP66
 Impact Test: IK10
 Electrical: 100-277V, 50/60Hz
 Operating Temperature: -40~50 °C
 TM21: L90B10>60,000H
 Lifetime: 100,000H



Functions

DALI · 0/1~10V · Timing · Program · Always-on Auxiliary

Optical options:



140
~160lm/w

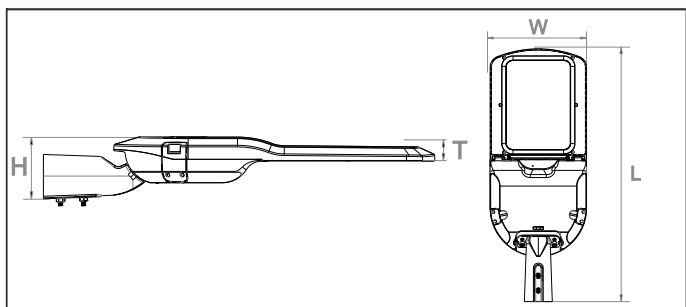
5 YEARS
WARRANTY

PHILIPS
Driver

CREE
LED

| Model | Watt | Voltage | Lumen | CRI | IP | Dimension |
|---------------|------|----------|---------|-----|------|------------------|
| NIX024PE1G-CN | 24W | 100~277V | 3840LM | >70 | IP66 | L568*W200*H109mm |
| NIX040PE1G-CN | 40W | 100~277V | 6400LM | >70 | IP66 | L568*W200*H109mm |
| NIX060PE1G-CN | 60W | 100~277V | 9000LM | >70 | IP66 | L568*W200*H109mm |
| NIX080PE1G-CN | 80W | 100~277V | 12000LM | >70 | IP66 | L613*W240*H109mm |
| NIX100PE1G-CN | 100W | 100~277V | 15000LM | >70 | IP66 | L613*W240*H109mm |
| NIX120PE1G-CN | 120W | 100~277V | 16800LM | >70 | IP66 | L613*W240*H109mm |
| NIX150PE1G-CN | 150W | 100~277V | 21000LM | >70 | IP66 | L683*W260*H109mm |
| NIX180PE1G-CN | 180W | 100~277V | 25200LM | >70 | IP66 | L693*W300*H109mm |
| NIX200PE1G-CN | 200W | 100~277V | 28000LM | >70 | IP66 | L693*W300*H109mm |

Packing



Luminaire

| Model | Dimension (mm) | Outer Carton(mm) | | | QTY / Outer CTN | Luminaire | |
|---------------|-------------------|------------------|-----|-----|--------------------|-----------|--------|
| | | L | W | H | | NW(kg) | GW(kg) |
| NIX024PE1G-CM | 568*200*109 | 623 | 255 | 150 | 1 | 3.50 | 4.57 |
| NIX040PE1G-CM | 568*200*109 | 623 | 255 | 150 | 1 | 3.50 | 4.57 |
| NIX060PE1G-CM | 568*200*109 | 623 | 255 | 150 | 1 | 3.50 | 4.57 |
| NIX080PE1G-CM | 613*240*109 | 666 | 295 | 150 | 1 | 4.57 | 5.27 |
| NIX100PE1G-CM | 613*240*109 | 666 | 295 | 150 | 1 | 4.57 | 5.27 |
| NIX120PE1G-CM | 613*240*109 | 666 | 295 | 150 | 1 | 4.57 | 5.27 |
| NIX150PE1G-CM | 683*260*109 | 736 | 315 | 150 | 1 | 5.77 | 6.56 |
| NIX180PE1G-CM | 693*300*109 | 747 | 355 | 150 | 1 | 6.04 | 6.92 |
| NIX200PE1G-CM | 693*300*109 | 747 | 355 | 150 | 1 | 6.04 | 6.92 |