



ZETA series Led Street Light

Street lighting is a core piece of urban and rural infrastructure. Lighting helps to create a safe environment for both pedestrians and drivers. Many streetlights around the world are now being updated to LED lighting, which uses less energy and is more reliable than traditional sodium lamps, significantly reducing the cost of keeping streets illuminated.

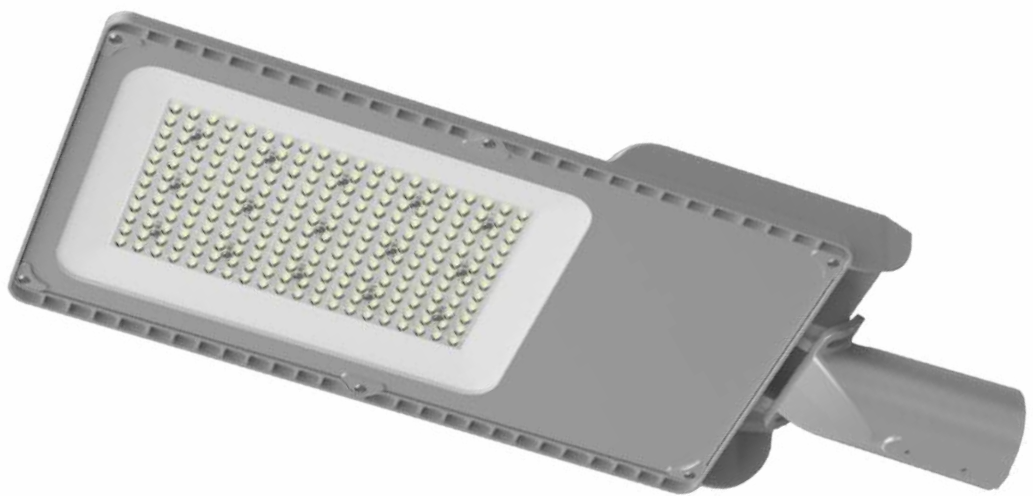
Designed from the ground up as a totally optimized LED street and area lighting system, our street light delivers incredible efficiency without sacrificing



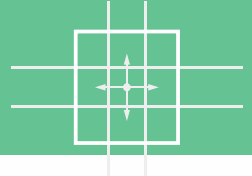
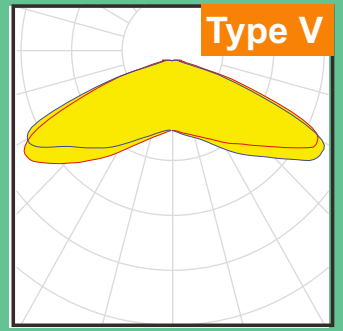
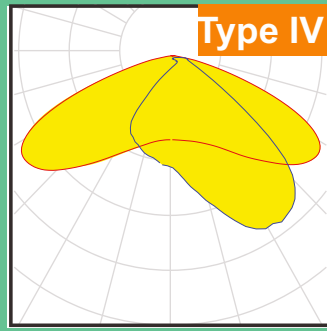
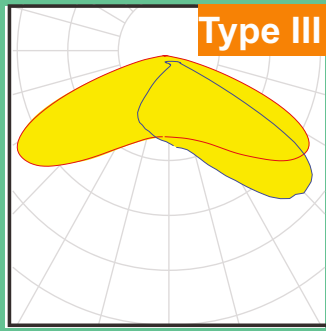
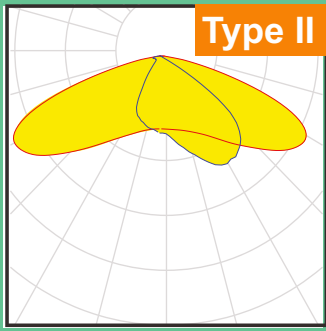
Street Light

IP66, IK08
6~20kv Surge Protection
High bright 160lm/w

Tempered Glass
PMMA lens

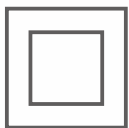
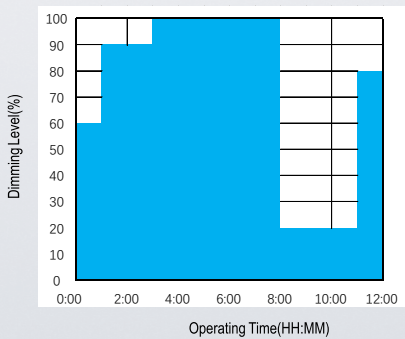


Smooth back cover design
Eliminate the risk of dust and bird droppings



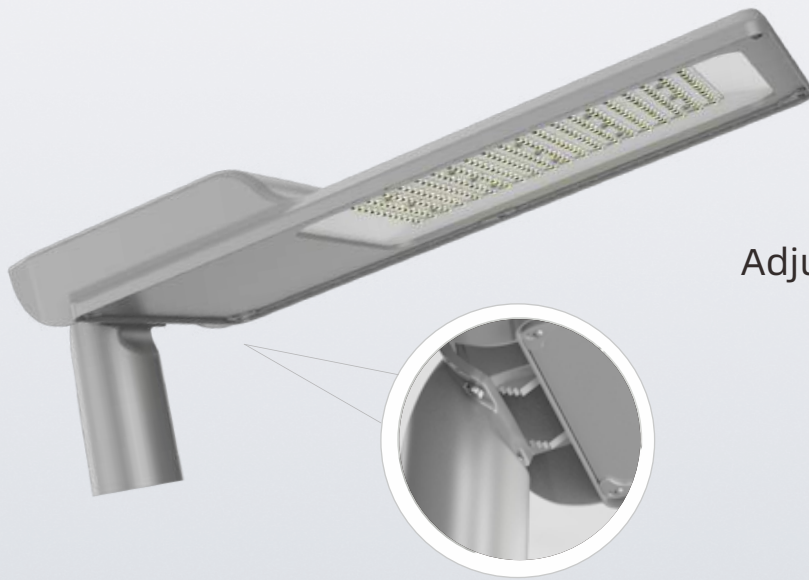
IESNA STANDARD	Roadway width / Mounting Height	
	One side mounting	Both side mounting
Type II	Up to 1 times MH	Up to 2 times MH
Type III	Up to 1.5 times MH	Up to 3 times MH
Type IV	Up to 2 times MH	Up to 4 times MH
Type V	Up to 4 times MH	

Auto dimming & Timming function
Easy to manage, more saving



Class II

Class II is sometimes known as "double insulated". This is an IEC protection class and refers to the power supply's internal construction and electrical insulation. The output is considered safe to contact and no major safety protection is required at the LED/luminaire level. There is no risk of fire or electric shock.



Adjustable inclination system

Precise Angle Rotation



Horizontal Installation



Vertical Installation

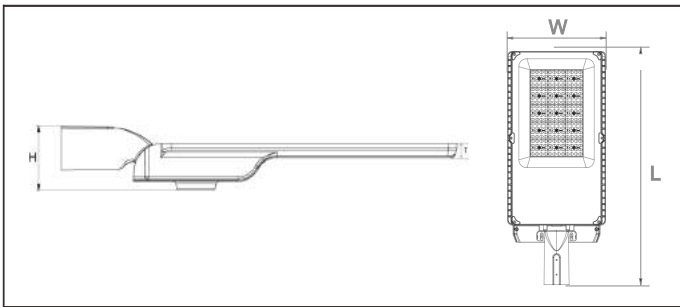
IP66 Waterproof
6kv/20kv Surge Protection





Features

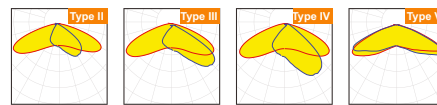
Housing: Die-cast Aluminum
 Thermal Conductivity: 96 W/m·K
 Led: PHILIPS
 CRI: Ra>70
 SDCM: <6
 Power Factor: >0.95
 THD: <15
 Driver: Meanwell XLG
 Driver Efficiency: >90%
 Protection: OTP, OCP, OVP, SCP
 Surge Protection: 6KV
 Waterproof: IP66
 Impact Test: IK08
 Electrical: 100-277V, 50/60Hz
 Operating Temperature: -40~50°C
 LED TM21: L90B10>100,000H
 Lifetime of driver: 50,000H



Functions

DALI · 0/1~10V · Timing · Program · Always-on Auxiliary

Optical options:



150~160lm/w

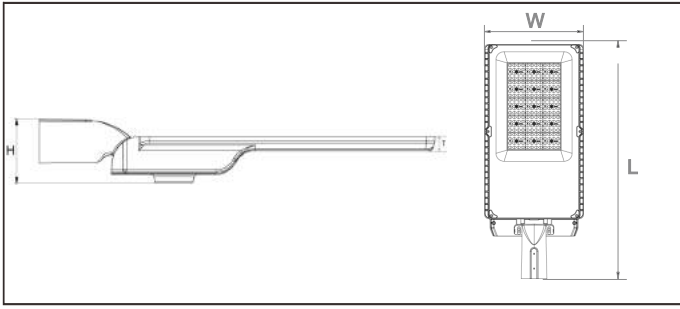
5 YEARS WARRANTY

Meanwell Driver

PHILIPS LED

Model	Watt	Voltage	Lumen	CRI	IP	Dimension
ZT024ME1H-PM	24W	100~277V	3840LM	>70	IP66	L515*W190*H99mm
ZT040ME1H-PM	40W	100~277V	6400LM	>70	IP66	L515*W190*H99mm
ZT050ME1H-PM	50W	100~277V	7500LM	>70	IP66	L515*W190*H99mm
ZT080ME1H-PM	80W	100~277V	12800LM	>70	IP66	L575*W242*H109mm
ZT100ME1H-PM	100W	100~277V	15000LM	>70	IP66	L575*W242*H109mm
ZT120ME1H-PM	120W	100~277V	18000LM	>70	IP66	L615*W262*H109mm
ZT150ME1H-PM	150W	100~277V	22500LM	>70	IP66	L615*W262*H109mm
ZT180ME1H-PM	180W	100~277V	27000LM	>70	IP66	L685*W287*H109mm
ZT200ME1H-PM	200W	100~277V	30000LM	>70	IP66	L685*W287*H109mm

Packing



Luminaire

Model	Dimension (mm)	Outer Carton(mm)			QTY / Outer CTN	Luminaire	
		L	W	H		NW(kg)	GW(kg)
ZT024ME1H-PM	515*190*99	587	260	175	1	2.40	3.00
ZT040ME1H-PM	515*190*99	587	260	175	1	2.40	3.00
ZT050ME1H-PM	515*190*99	587	260	175	1	2.40	3.00
ZT080ME1H-PM	575*242*109	646	312	185	1	3.60	4.40
ZT100ME1H-PM	575*242*109	646	312	185	1	3.60	4.40
ZT120ME1H-PM	615*262*109	686	332	185	1	4.05	4.80
ZT150ME1H-PM	615*262*109	686	332	185	1	4.05	4.80
ZT180ME1H-PM	685*287*109	766	357	185	1	5.30	6.50
ZT200ME1H-PM	685*287*109	766	357	185	1	5.30	6.50