



Explosion Proof Light

We are committed to delivering high-quality industrial lighting fixtures designed, tested and certified for use in hazardous locations and adverse environment conditions.

Our explosion proof light can be used even under the harshest indoor and outdoor conditions. If safety, labor reduction, quality and reliability are your priorities, this product will be your best option.

LED floodlight EX AP

Explosion Proof

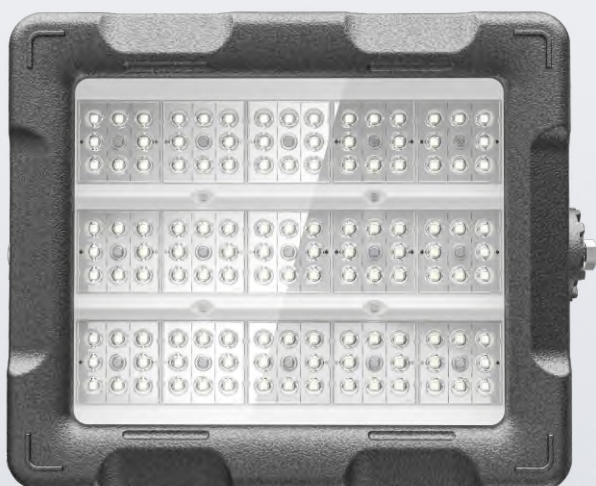
Gas & dust proof
Zone 1, 2 & zone 21, 22
High bright 150lm/w



IECE_x



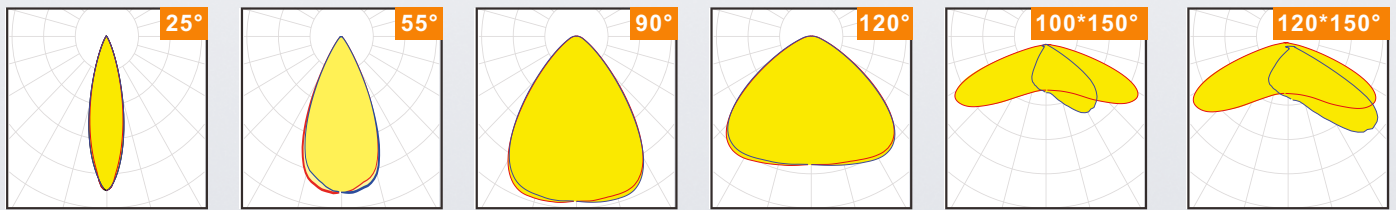
**II 2G Ex db mb IIB T4 Gb
II 2D Ex tb IIIC T(95°C) Db**



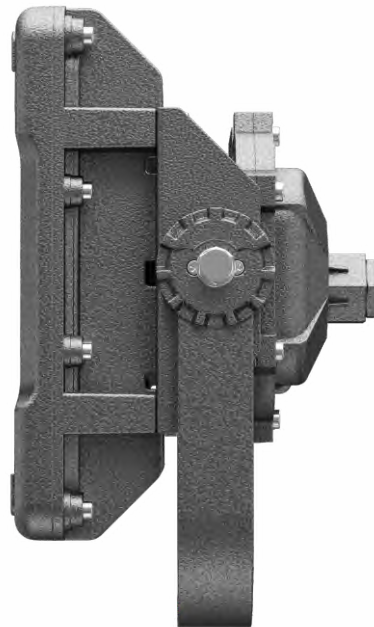
150LM/W

Driver: Meanwell
LED: Cree

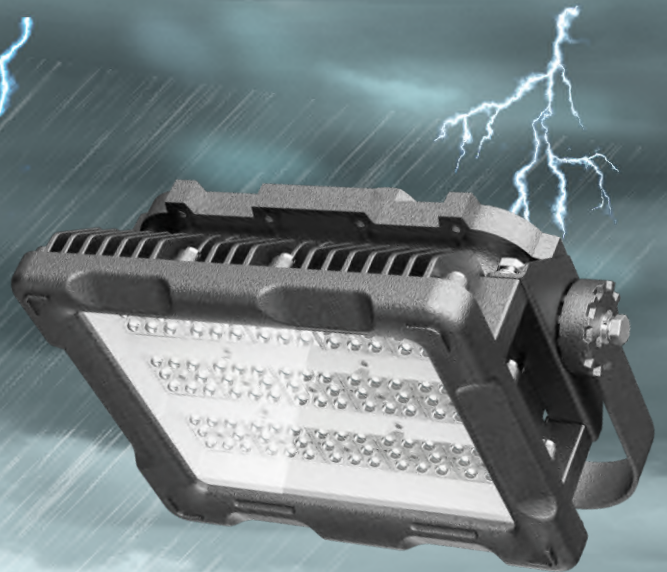
Various optics:



Precise Angle Rotation



IP66 Waterproof
6KV/10KV Surge Protection
AkzoNobel coating, best corrosion proof





Chemical industry
 Oil and natural gas extraction
 Petrol station
 Offshore
 Marine sector



Tank vehicle
 Shipyard
 Power plant
 Refinery
 Rescue service
 Aviation



Sugar refinery
 Grain and feed industry
 Fertiliser industry
 Flour milling
 Pharmaceutical industry
 Waste treatment plant
 Timber industry



Application

Zone 1 Zone 2
 Zone 21 Zone 22

Applied to oil fields, oil refineries, offshore oil platform, power plants, gas stations, oil tanks, wharf, tunnel, pumping station, substation, the military base, etc. Zone I and Zone II Hazardous Locations, Zone 20, Zone 21, Zone 22 and II A, IIB, IIC explosive gas atmosphere.

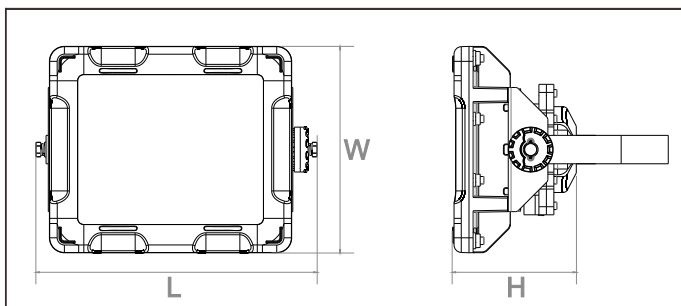


Features

Housing: Pure Aluminum
 Thermal Conductivity: 226 W/m·K
 Led: Cree 3030
 CRI: Ra>70
 SDCM: <6
 Power Factor: >0.95
 THD: <15
 Driver: MEANWELL
 Driver Efficiency: >93%
 Protection: OTP, OCP, OVP, SCP
 Surge Protection: 6KV
 Waterproof: IP66
 Impact Test: IK08
 Electrical: 100-277V, 50/60Hz
 Operating Temperature: -40~60°C
 TM21: L90B10>50,000H
 Lifetime: 50,000H



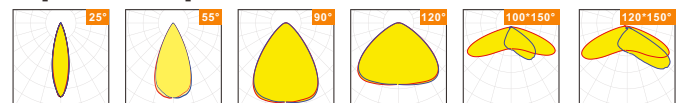
Ex II 2G Ex db mb IIB T4 Gb
 II 2D Ex tb IIIC T1 (95°C) Db



Functions

ZigBee · DMX · DALI · 0/1~10V

Optical options:



150lm/w

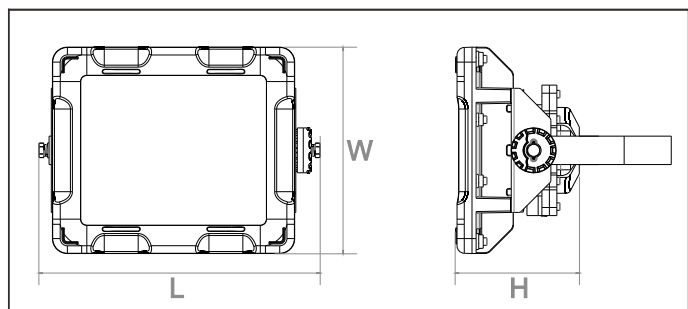
5 YEARS WARRANTY

Meanwell Driver

Cree LED

Model	Watt	Voltage	Lumen	CRI	IP	Dimension
EX-AP025AE1H	25W	100~277V	3750LM	>70	IP66	374*276*171
EX-AP050AE1H	50W	100~277V	7500LM	>70	IP66	374*276*171
EX-AP070AE1H	70W	100~277V	10500LM	>70	IP66	374*276*171
EX-AP100AE1H	100W	100~277V	15000LM	>70	IP66	374*276*171
EX-AP150AE1H	150W	100~277V	21000LM	>70	IP66	374*276*171
EX-AP200AE1H	200W	100~277V	28000LM	>70	IP66	374*276*171

Packing



Luminaire

Model	Dimension (mm)	Outer Carton(mm)			QTY / Outer CTN	Luminaire	
		L	W	H		NW(kg)	GW(kg)
EX-AP025AE1H	374*276*171	435	415	270	1	9.70	10.50
EX-AP050AE1H	374*276*171	435	415	270	1	9.70	10.50
EX-AP070AE1H	374*276*171	435	415	270	1	9.70	10.50
EX-AP100AE1H	374*276*171	435	415	270	1	9.70	10.50
EX-AP150AE1H	374*276*171	435	415	270	1	9.70	10.50
EX-AP200AE1H	374*276*171	435	415	270	1	9.70	10.50