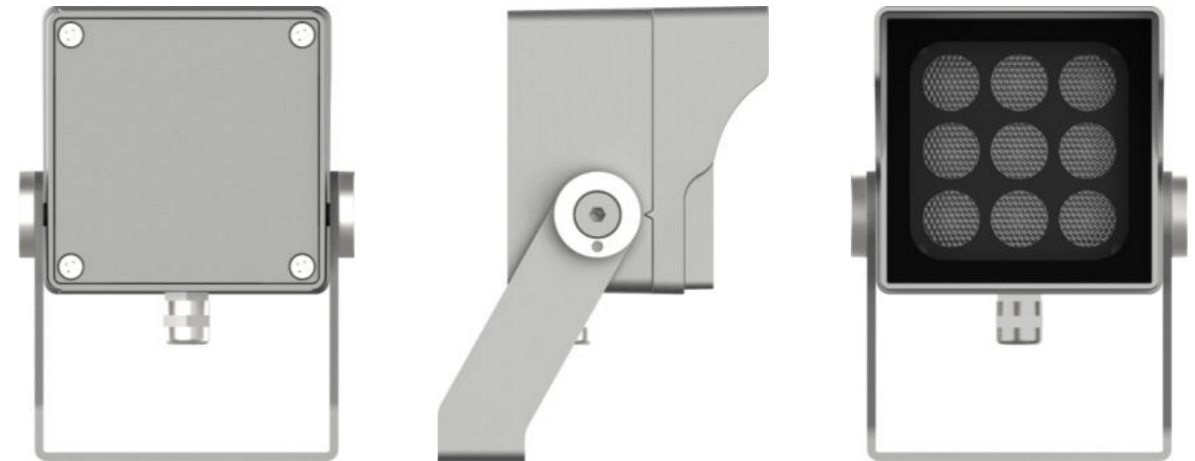
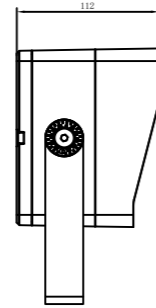
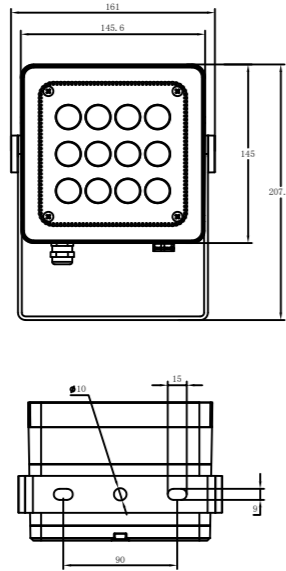


- Die casting aluminum structure, efficient internal colling technology make lamp in mini size but with high power, max up to 20W.
- Smooth surface with self-clean coating avoid dust pile and offers delicate appearance.
- Equipped with 3 degree super narrow lens max shooting range reach to 25 meters with central illumination up to 40LX.
- Many applications available, can be projector, wall washer, tree projector or wall mounting etc.



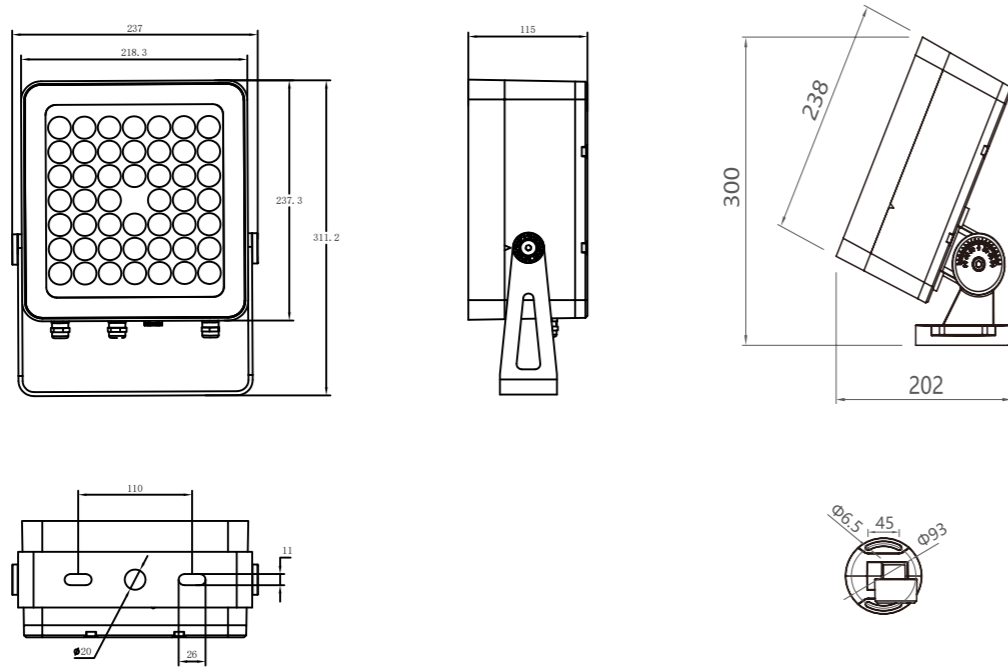
2A	Input Voltage	LED Qty	Wattage	Optical Angle	CCT	Luminous Flux	Weight/ Package (11PCS/CTN)
2A-004010	AC100-277V	4PCS	10W	3°	4000K	537lm	11.0KG/ 335X580X285mm
2A-004010	AC100-277V	4PCS	10W	8°/15°/25°/45°/60°/15°35°	4000K	907lm	11.5KG/ 335X580X285mm
				12°/25°/45°/60°/10°60°/15°35°	RGBW	382lm	12.3KG/ 335X580X285mm
2A-009018	AC100-277V	9PCS	20W	8°/15°/25°/45°/60°/15°35°	4000K	1820lm	11.8KG/ 335X580X285mm
				12°/25°/45°/60°/10°60°/15°35°	RGBW	764lm	12.6KG/ 335X580X285mm



- With Spike lamp can install in lawn without foundation.
- Can be ceiling mounting or wall mounting.



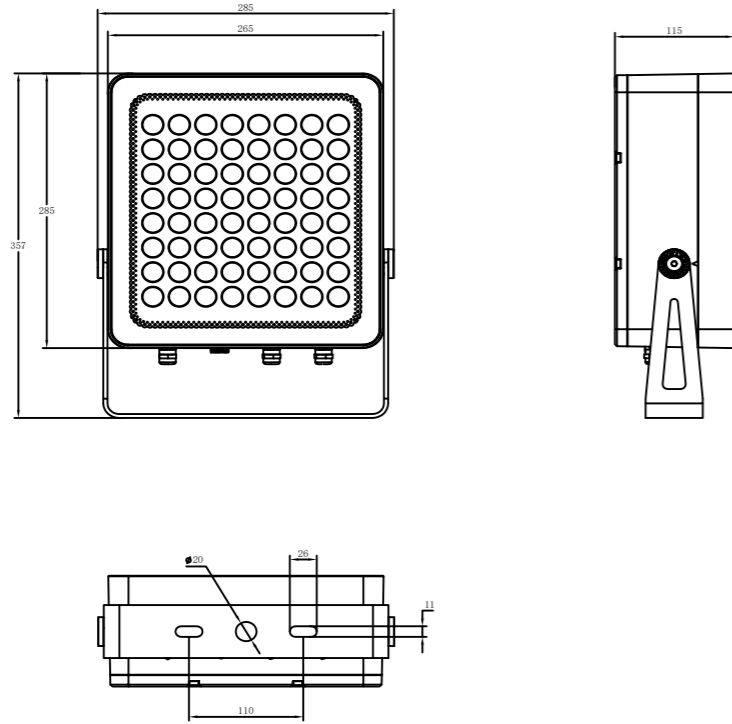
2B	Input Voltage	LED Qty	Wattage	Optical Angle	CCT	Luminous Flux	Weight/ Package (4PCS/CTN)
2B-009018	AC100-277V	9PCS	20W	3°	4000K	975lm	5.2KG/ 335X580X285mm
				4°/8°/15°/25°/42°/55°/10°*30°	RGBW	801lm	5KG/ 335X580X285mm
2B-012030	AC100-277V	12PCS	30W	8°/15°/25°/45°/60°/15°*35°	4000K	2553lm	5.2KG/ 335X580X285mm
				12°/25°/45°/60°/10°*60°/15°*35°	RGBW	1202lm	5.3KG/ 335X580X285mm
2B-018040	AC100-277V	18PCS	40W	8°/15°/25°/45°/60°/15°*35°	4000K	3450lm	5.4KG/ 335X580X285mm
				12°/25°/45°/60°/10°*60°/15°*35°	RGBW	1602lm	5.5KG/ 335X580X285mm



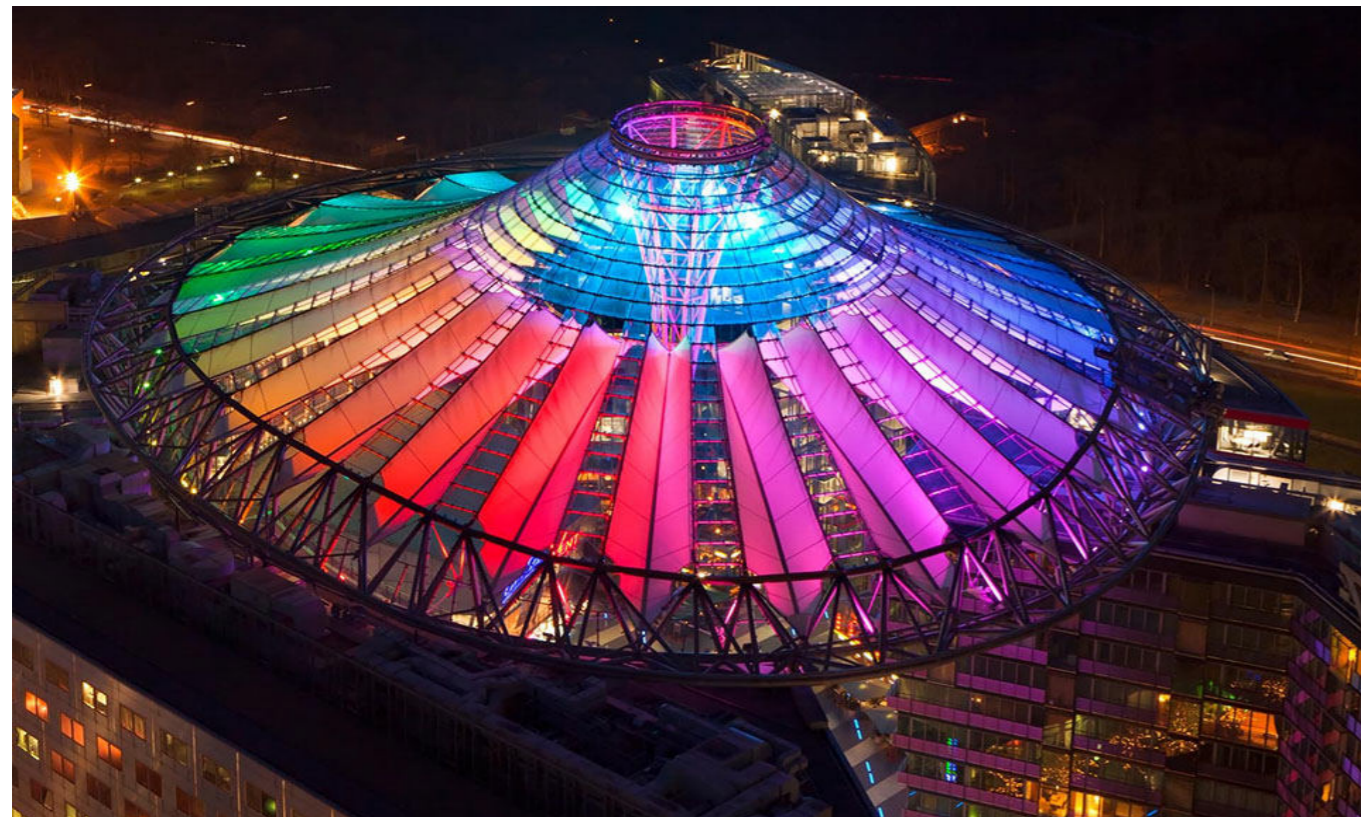
- Die casting aluminum structure and pure aluminum core heat sinker provides efficient heat dissipation ability, decreases lamp body cut increases lamp power, maximum up to 80W.
- With chimney radiating design, heat can be instantaneously transferred to the air.
- Smooth surface with self-clean coating avoid dust pile and offers delicate appearance.
- Equipped with 3 degree super narrow lens and recessed lens max shooting range reach to 80 meters with central illumination up to 23LX and with no glare.
- Reinforced aluminum alloy lamp body, die casting aluminum cover; smooth surface, with self-cleaning function provided delicate appearance and solid structure.



2C	Input Voltage	LED Qty	Wattage	Optical Angle	CCT	Luminous Flux	Weight/ Package (1PCS/CTN)
2C-020045	AC100-277V	20PCS	45W	3°	4000K	2248lm	9.2KG/ 365X275X170mm
				4°/8°/15°/25°/42°/55°/10°*30°	RGBW	1824lm	9KG/ 365X275X170mm
2C-024060	AC100-277V	24PCS	60W	8°/15°/25°/45°/60°/15°*35°	4000K	5291lm	9.4KG/ 365X275X170mm
				12°/25°/45°/60°/10°*60°/15°*35°	RGBW	2411lm	9.6KG/ 365X275X170mm
2C-036080	AC100-277V	36PCS	80W	8°/15°/25°/45°/60°/15°*35°	4000K	7055lm	9.8KG/ 365X275X170mm
				12°/25°/45°/60°/10°*60°/15°*35°	RGBW	3205lm	10KG/ 365X275X170mm
2C-048080	AC100-277V	48PCS	80W	8°/15°/25°/45°/60°/15°*35°	4000K	7407lm	11KG/ 365X275X170mm
				12°/25°/45°/60°/10°*60°/15°*35°	RGBW	3608lm	11.2KG/ 365X275X170mm



- Flexible cube design and freely to splice.
- Chemical grade PC lens material, high transmittance, anti-UV, anti-aging.
- OSRAM flip-chips with high efficiency high CRI and long life.
- High pressure die-casting aluminum alloy ADC12, good weatherresistant polyester powder coating.
- Plug waterproof structure, excellent anti-aging properties of silicone material, Effective protection of the product's long-term outdoor work.



2D	Input Voltage	LED Qty	Wattage	Optical Angle	CCT	Luminous Flux	Weight/ Package (1PCS/CTN)
2D-030080	AC100-277V	30PCS	80W	3°	4000K	3996lm	13.2KG/ 385X295X190mm
				4°/8°/15°/25°/42°/55°/10°*30°	RGBW	3243lm	13.0KG/ 385X295X190mm
2D-048120	AC100-277V	48PCS	120W	8°/15°/25°/45°/60°/15°*35°	4000K	10582lm	13.4KG/ 385X295X190mm
				12°/25°/45°/60°/10°*60°/15°*35°	RGBW	4808lm	13.6KG/ 385X295X190mm
2D-064160	AC100-277V	64PCS	160W	8°/15°/25°/45°/60°/15°*35°	4000K	14110lm	13.8KG/ 385X295X190mm
				12°/25°/45°/60°/10°*60°/15°*35°	RGBW	6410lm	14KG/ 385X295X190mm

