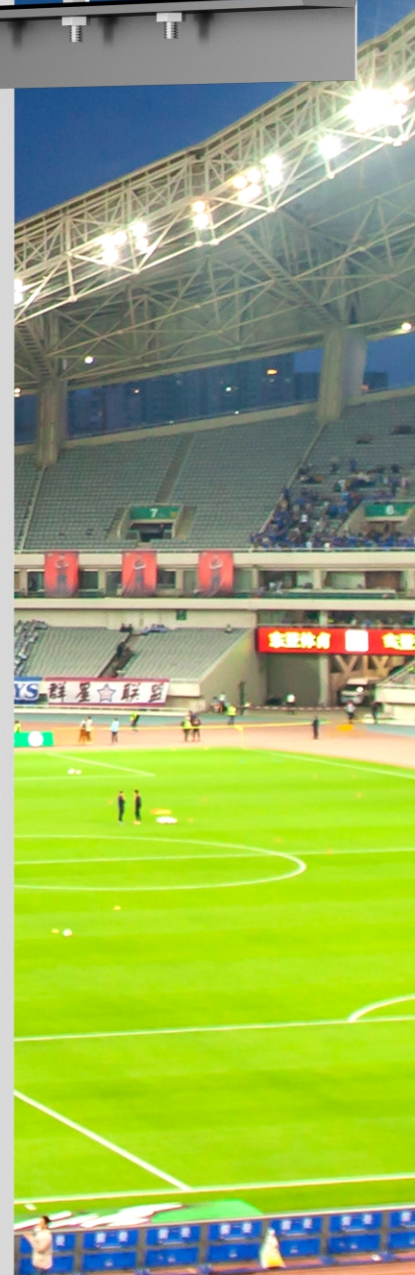
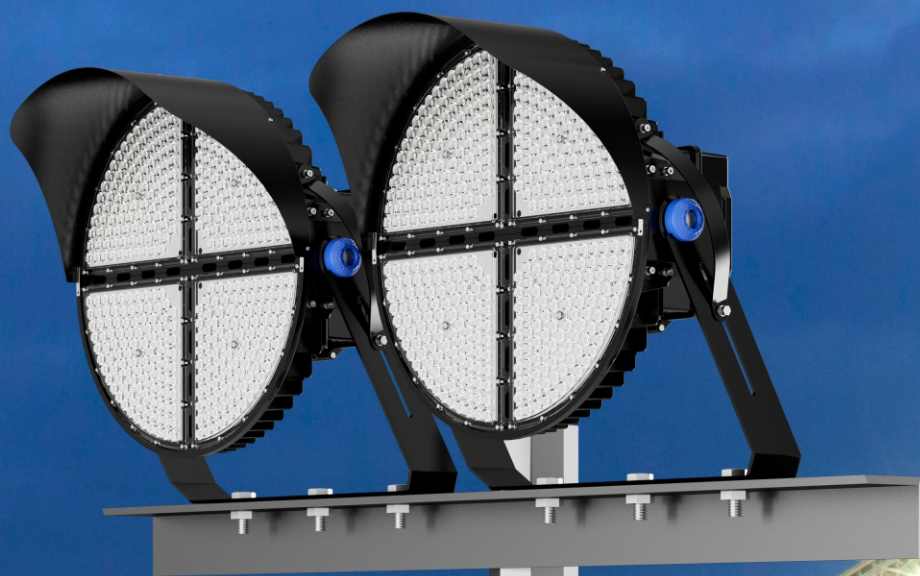
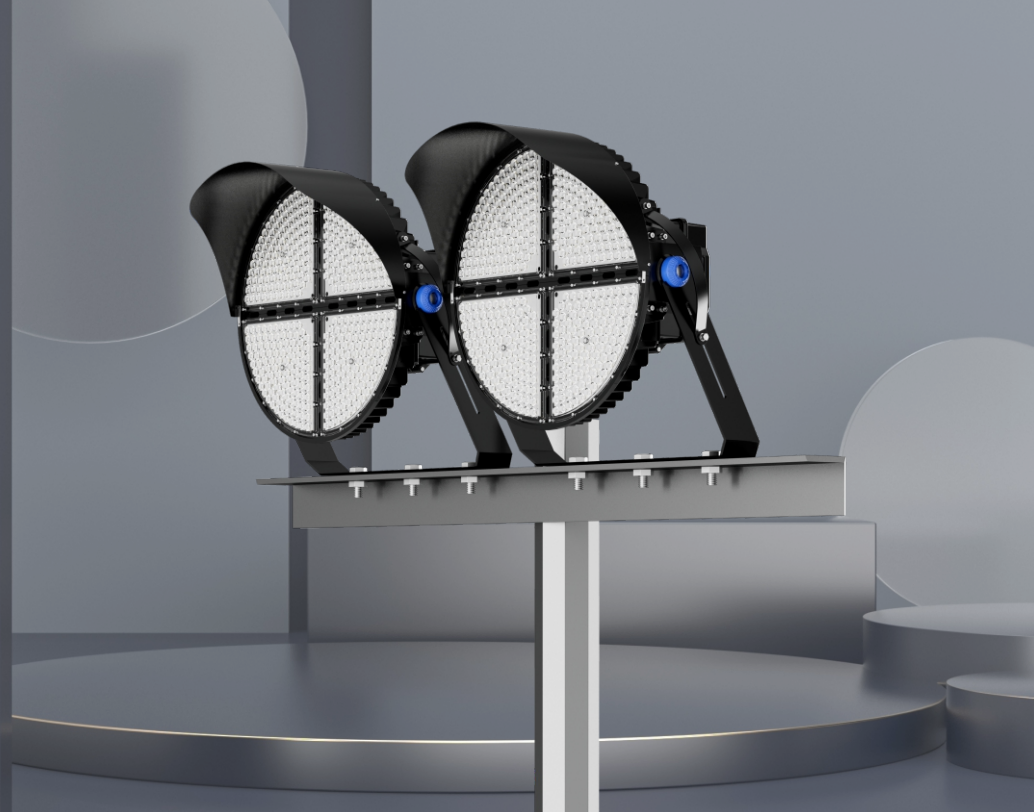


# LED High Mast Light CIRCLET Series

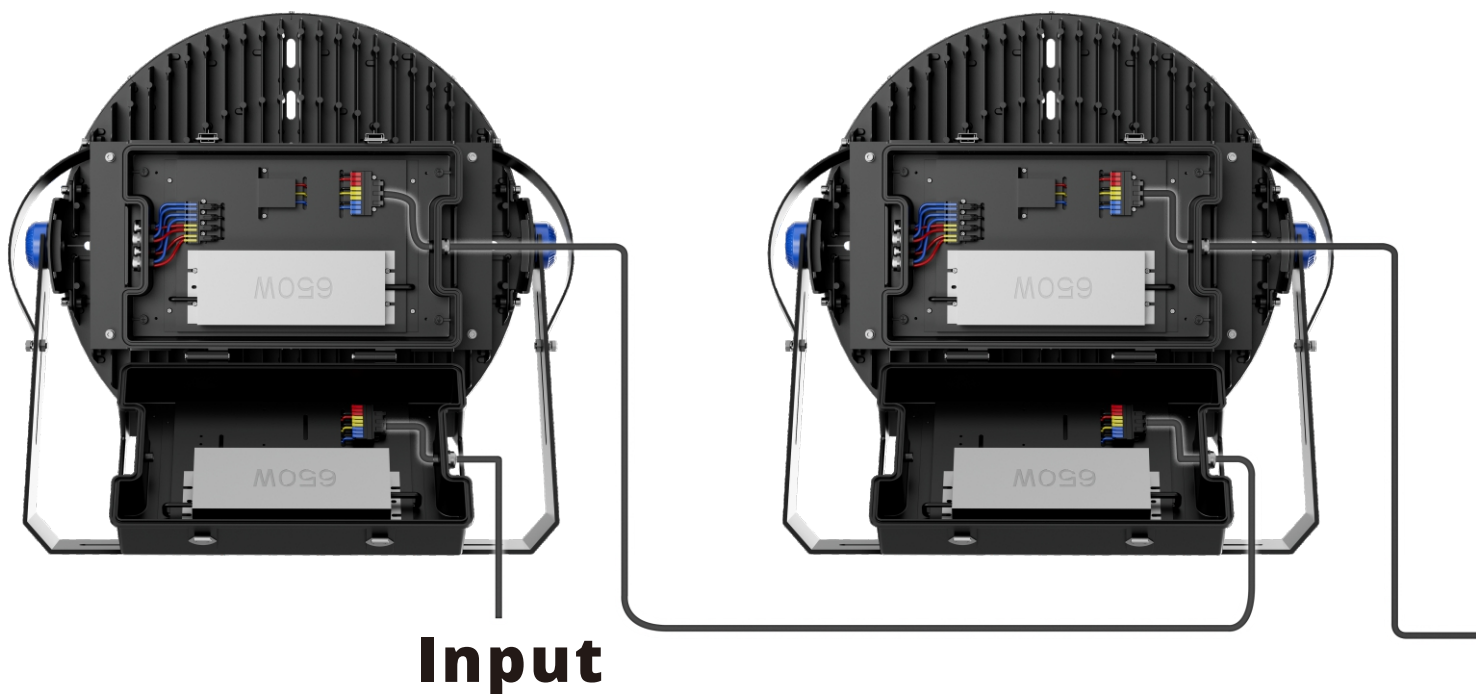


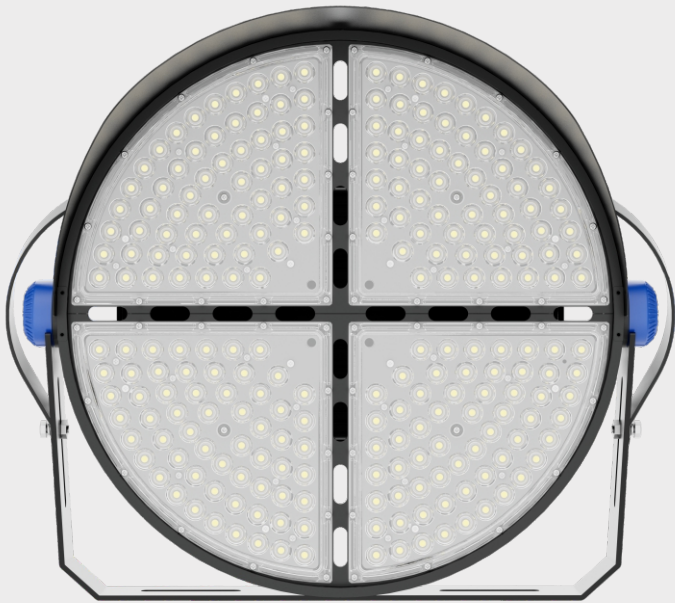
# 190 LM/W

• • •  
High  
Brightness



## Easy to open the Driver to Rewire in Series

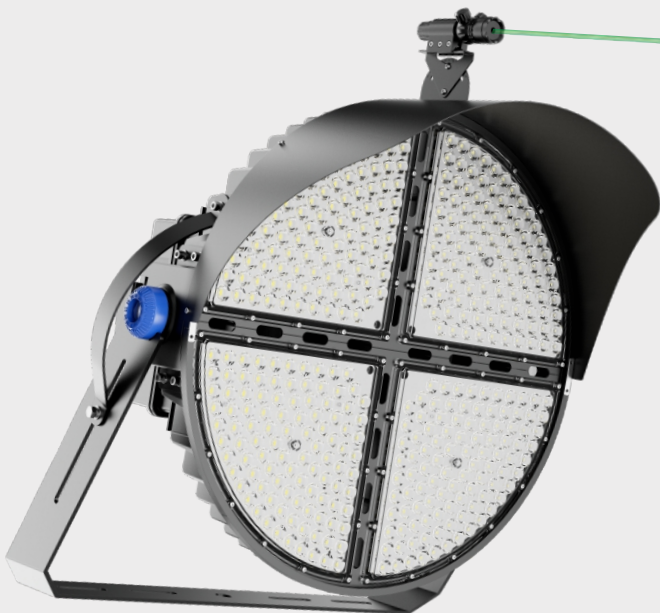
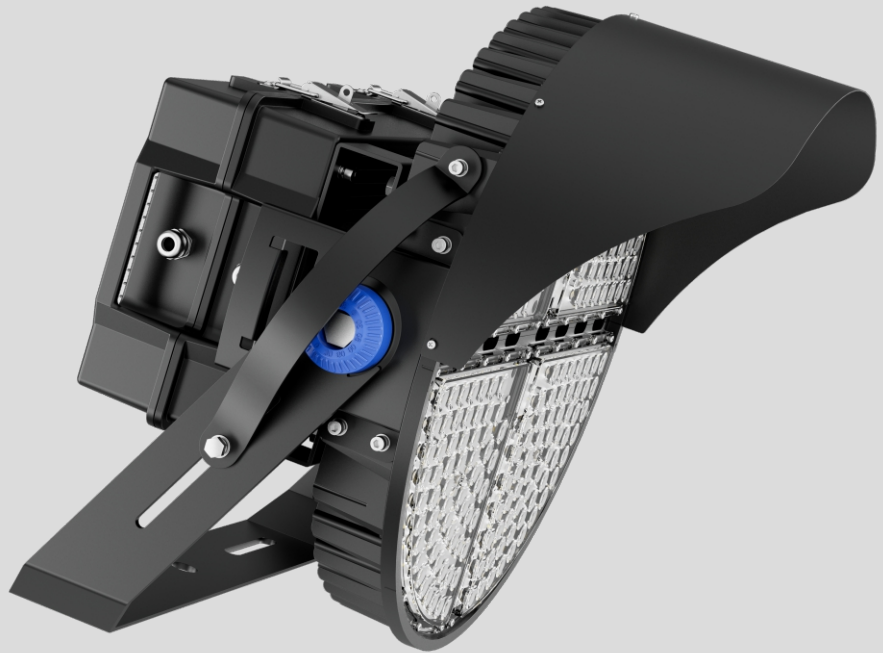




## Visor

Minimizing glare light  
and spill light

## Precise Angle Rotation



## Laser Sight

Easily adjust the direction  
of illumination to achieve  
maximum lux and uniformity.

**IP66 Waterproof  
10/20kv Surge Protection**



## **HD TV Broadcasting**

The LED source has an high TLCI index and a chromatic render index up to 90. This provides the camera with the real color of the scene and flicker-free shooting.

## **Driver External**

Driver box can be fixed on bracket or on pole in order to lower the weight of whole fixture and easy maintenance.





RoHS compliant

LM 79

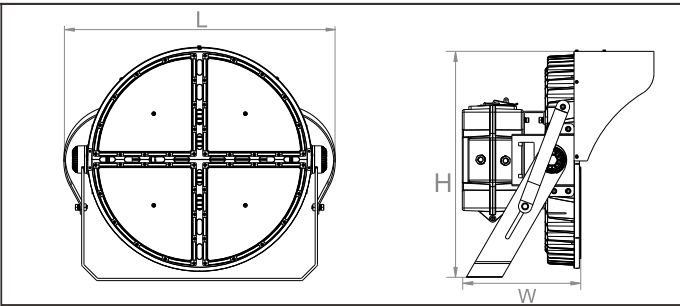
LM 80

TM 21



### Features

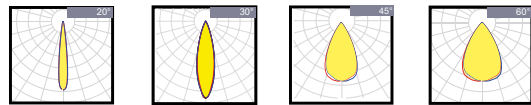
- Housing: Pure Aluminum
- Thermal Conductivity: 96W/m·K
- Led: Cree 5050
- CRI: Ra>70
- SDCM: <6
- Power Factor: >0.95
- THD: <15
- Driver: SOSEN
- Driver Efficiency: >97%
- Protection: OTP, OCP, OVP, SCP
- Surge Protection: 10KV
- Waterproof: IP66
- Impact Test: IK08
- Electrical: 180-305V, 50/60Hz
- Operating Temperature: -40~60 °C
- Tm21: L90B10>50,000H
- Lifetime: 50,000H



### Functions

ZigBee · DMX · DALI · 0/1~10V

### Optical options:



Model	Watt	Voltage	Efficiency	Lumen	CRI	IP	Dimension
CRC500DE4K-CS	500W	180~305V	190LM/W	95000LM	>70	IP66	592*509*263
CRC600DE4K-CS	600W	180~305V	180LM/W	108000LM	>70	IP66	592*509*263
CRC800DE4K-CS	800W	180~305V	190LM/W	152000LM	>70	IP66	697*649*263
CRC1K0DE4K-CS	1000W	180~305V	180LM/W	180000LM	>70	IP66	697*649*263

# Packing

## Luminaire

Model	Dimension (mm)	Outer Carton (mm)			QTY / Outer CTN	Luminaire	
		L	W	H		NW(kg)	GW(kg)
CRC500DE4K-CS	592*509*263	775	700	370	1	21.50	25.50
CRC600DE4K-CS	592*509*263	775	700	370	1	21.50	25.50
CRC800DE4K-CS	697*649*263	850	825	390	1	28.00	32.00
CRC1K0DE4K-CS	697*649*263	850	825	390	1	28.00	32.00