

SP SPORT

PROFESSIONAL SERIES FLOODLIGHT

MASSIVE
264,600 lm
LIGHT OUTPUT

ULTRA HIGH
147 lm/W
SYSTEM EFFICACY

LIFETIME OF
102000+
HOURS TO L70



TAKE A LOOK AT THE SP SPORT POWERFUL FEATURES



IMPRESSIVE OUTPUT

By using the latest generation of high output LED chips we are able to achieve massive outputs of up to 264,7600lm and with a luminous efficacy of up to 147lm/W we do it efficiently.

ULTRA LOW WINDAGE

Our innovative flat glass optics and slim design means the wind-affected area of the SP Sport is greatly reduced, allowing existing poles to be used in most cases.



FLAT GLASS OPTICS

We custom designed special optics for 0 tilt. They are designed to greatly increase the light utilization rate on the playing surface while reducing spill light into neighbouring properties.



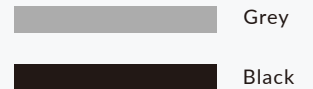


TEMPERED GLASS

High transparency extra clear high toughened glass. Real UV resistance and anti-corrosion even in extreme harsh environment. The robust protection for lens and easy for cleaning away



Best Powder Coating
10years won't drop off



LAMP RESPIRATOR

Prevent condensation and fogging, increase product lifespan.



STAINLESS STEEL TUBE TO PROTECT CABLES



EASY INSTALLATION

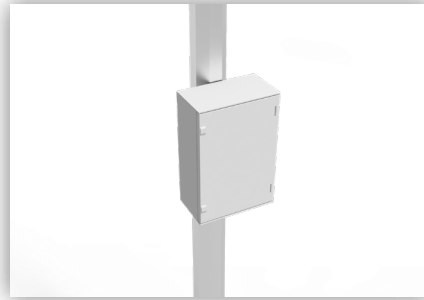
Universal mounting bracket and angle adjustment dial makes installing the SP Sport a breeze. adjustable angle 250° .

SP SPORT FLEXABLE CONTROL GEAR MOUNTING OPTIONS



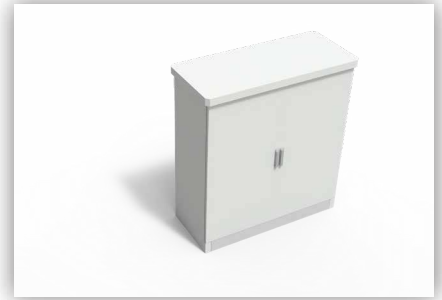
1. ON BRACKET

Control gear mounted on the bracket is a quick and easy solution when there are a small number of fittings. Not available on some mounting and aiming configurations.



2. BOX ON POLE

Our control gear plates can be easily installed in an electrical box, this is a simple option to help reduce weight and allow for easy maintenance.




3. CABINET

Our control gear plates can be easily installed in an electrical cabinet, this is an excellent option for large installations allowing for easy maintenance.



SP SPORT SINGLE

PROFESSIONAL FLOODLIGHT

 147lm/W
System Efficacy

 5 Year
Warranty

 IK09
Rated

 IP66
Rated



FEATURES

- Massive light output of up to 80,850lm
- Ultra-high system efficiency of up to 147lm/W
- High quality Lumileds LED Chip and Inventronics Driver
- Long >10,2000 hours lifespan to L70
- Professionally Designed True Asymmetric Flat Optics
- Tough IP66 and IK09 construction
- Suitable for coastal areas (with optional 316 stainless steel bracket)
- High quality AkzoNobel anti-corrosion Powder-coating

CODE	POWER	LUMEN OUTPUT	EFFICACY
SP-320	320W	47,040lm	147lm/W
SP-480	480W	70,560lm	147lm/W
SP-550	550W	80,850lm	147lm/W

LIGHTING DATA

LIGHT SOURCE	Lumileds/Osram chip
LIFETIME @L70	>10,2000hrs
CCT	5000K (3000K, 4000K, 5700K available)
CRI	>70 (>80, >90 available)
SDCM	<5 (<3 available)
BEAM ANGLE	12°, 16°, 30°, 60°
ASYMMETRIC	AS-L, AS-R, AS-LR 25°X130°, 40°X130°, 60°X130°

ELECTRICAL DATA

POWER SUPPLY	Inventronics Driver
INPUT VOLTAGE	100-227V/AC, 50-60Hz
POWER FACTOR (Typ)	≥0.97
THD (Typ)	<8%
SURGE PROTECTION	10kV
PROTECTIONS	SCP, OTP, OVP, OCP
DRIVER LIFETIME	>100,000hrs
DIMMABLE OPTIONS	1-10V, DALI, DMX

DESIGN / CONSTRUCTION

BODY MATERIAL	Aluminium
OPTICS MATERIAL	Polycarbonate
LENS MATERIAL	Toughened glass
BRACKET MATERIAL	304 Stainless Steel
FINISH	AkzoNobel Powder-Coat
COLOUR	Black, Grey
WEIGHT (with Driver)	19.0kg
WEIGHT (without Driver)	

TECHNICAL DATA

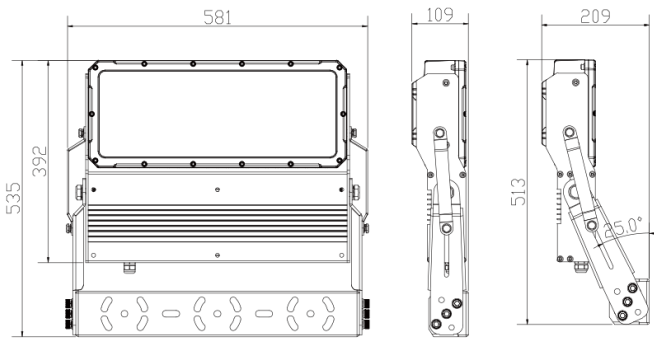
IP RATING	IP66
IK RATING	IK09
OPERATING TEMP	-30° to +50°C
PROTECTION CLASS	Class 1
CERTIFICATIONS	ENEC / CB / SAA / CE
TEST REPORTS	LM-79, TM-21, ISTMT
WARRANTY	5 Year
EPA (0° tilt) with Driver	0.04342m²

SP SPORT SINGLE

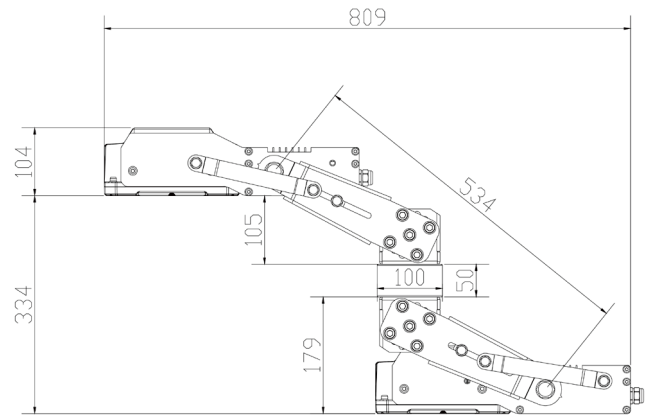
TECHNICAL DETAILS

DIMENSIONS

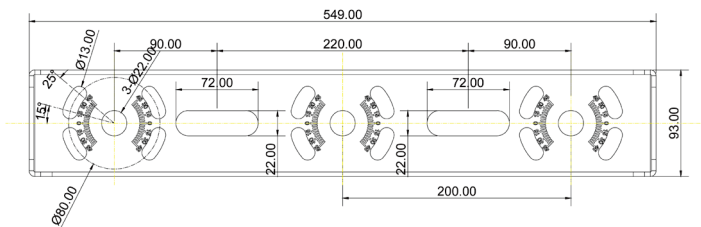
Fitting



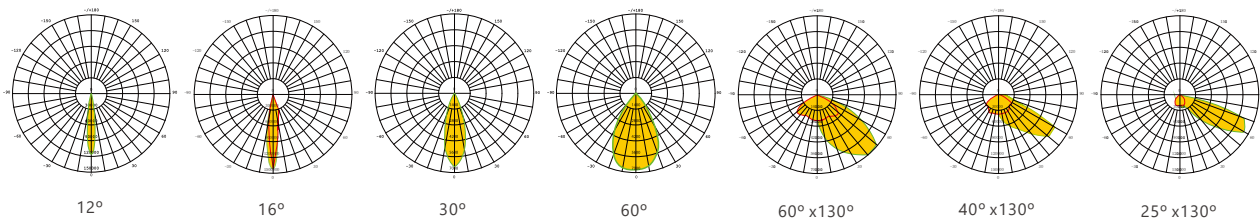
Mounting - Above/Below



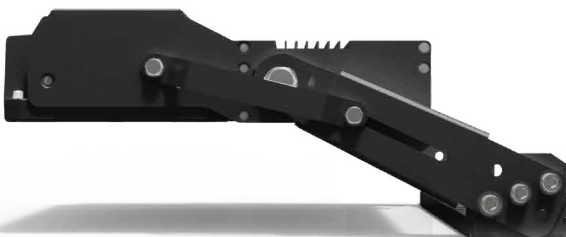
Bracket



PHOTOMETRIC DIAGRAMS




IMAGES



SP SPORT SINGLE

PROFESSIONAL FLOODLIGHT

 147lm/W
System Efficacy

 5 Year
Warranty

 IK09
Rated

 IP66
Rated



FEATURES

- Massive light output of up to 88,200lm
- Ultra-high system efficiency of up to 147lm/W
- High quality Lumileds LED Chip and Inventronics Driver
- Long >10,2000 hours lifespan to L70
- Professionally Designed True Asymmetric Flat Optics
- Tough IP66 and IK09 construction
- Suitable for coastal areas (with optional 316 stainless steel bracket)
- High quality AkzoNobel anti-corrosion Powder-coating

CODE	POWER	LUMEN OUTPUT	EFFICACY
SP-600	600W	88,200lm	147lm/W

LIGHTING DATA

LIGHT SOURCE	Lumileds/Osram chip
LIFETIME @L70	>10,2000hrs
CCT	5000K (3000K, 4000K, 5700K available)
CRI	>70 (>80, >90 available)
SDCM	<5 (<3 available)
BEAM ANGLE	12°, 16°, 30°, 60°
ASYMMETRIC	AS-L, AS-R, AS-LR 25°X130°, 40°X130°, 60°X130°

ELECTRICAL DATA

POWER SUPPLY	Inventronics Driver
INPUT VOLTAGE	100-227V/AC, 50-60Hz
POWER FACTOR (Typ)	≥0.97
THD (Typ)	<8%
SURGE PROTECTION	10kV
PROTECTIONS	SCP, OTP, OVP, OCP
DRIVER LIFETIME	>100,000hrs
DIMMABLE OPTIONS	1-10V, DALI, DMX

DESIGN / CONSTRUCTION

BODY MATERIAL	Aluminium
OPTICS MATERIAL	Polycarbonate
LENS MATERIAL	Toughened glass
BRACKET MATERIAL	304 Stainless Steel
FINISH	AkzoNobel Powder-Coat
COLOUR	Black, Grey
WEIGHT (with Driver)	21.8kg
WEIGHT (without Driver)	12.8kg

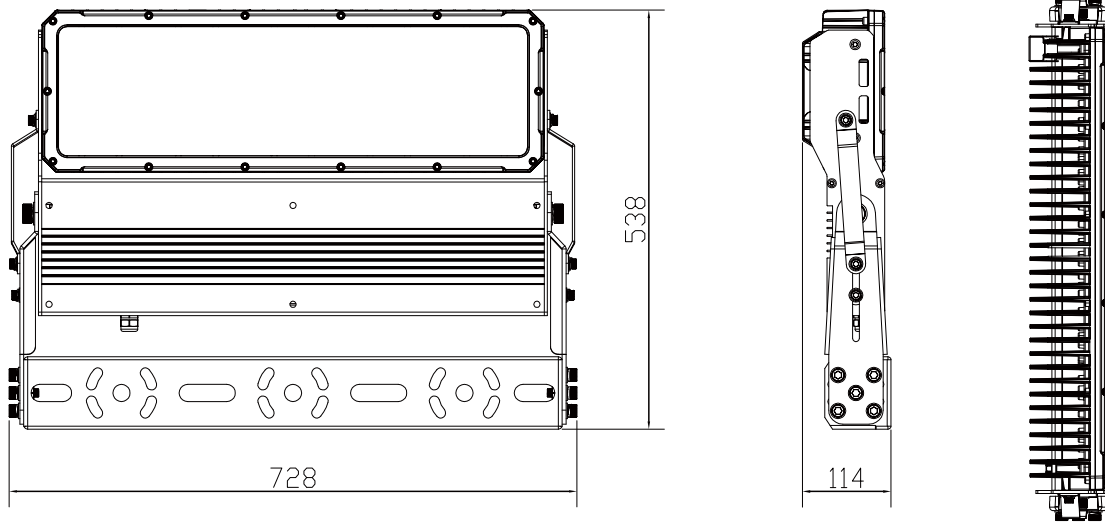
TECHNICAL DATA

IP RATING	IP66
IK RATING	IK09
OPERATING TEMP	-30° to +50°C
PROTECTION CLASS	Class 1
CERTIFICATIONS	CE / ROHS
TEST REPORTS	LM-79, TM-21, ISTMT
WARRANTY	5 Year
EPA (0° tilt) with Driver	

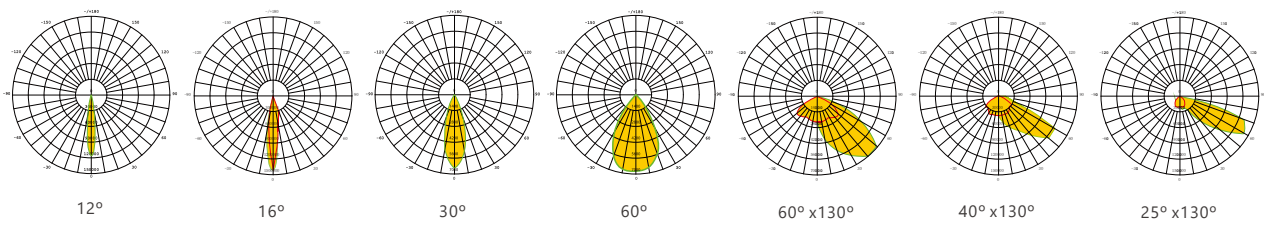
SP SPORT SINGLE

TECHNICAL DETAILS

DIMENSIONS



PHOTOMETRIC DIAGRAMS




IMAGES



SP SPORT DOUBLE

PROFESSIONAL FLOODLIGHT

 147lm/W
System Efficacy

 5 Year
Warranty

 IK09
Rated

 IP66
Rated



FEATURES

- Massive light output of up to 161,700lm
- Ultra-high system efficiency of up to 147lm/W
- High quality Lumileds LED Chip and Inventronics Driver
- Long >10,2000 hours lifespan to L70
- Professionally Designed True Asymmetric Flat Optics
- Tough IP66 and IK09 construction
- Suitable for coastal areas (with optional 316 stainless steel bracket)
- High quality AkzoNobel anti-corrosion Powder-coating

CODE	POWER	LUMEN OUTPUT	EFFICACY
SP-800	800W	117,600lm	147lm/W
SP-960	960W	141,120lm	147lm/W
SP-1100	1100W	161,700lm	147lm/W

LIGHTING DATA

LIGHT SOURCE	Lumileds/Osram chip
LIFETIME @L70	>10,2000hrs
CCT	5000K (3000K, 4000K, 5700K available)
CRI	>70 (>80, >90 available)
SDCM	<5 (<3 available)
BEAM ANGLE	12°, 16°, 30°, 60°
ASYMMETRIC	AS-L, AS-R, AS-LR 25°X130°, 40°X130°, 60°X130°

ELECTRICAL DATA

POWER SUPPLY	Inventronics Driver
INPUT VOLTAGE	100-227V/AC, 50-60Hz
POWER FACTOR (Typ)	≥0.97
THD (Typ)	<8%
SURGE PROTECTION	10kV
PROTECTIONS	SCP, OTP, OVP, OCP
DRIVER LIFETIME	>100,000hrs
DIMMABLE OPTIONS	1-10V, DALI, DMX

DESIGN / CONSTRUCTION

BODY MATERIAL	Aluminium
OPTICS MATERIAL	Polycarbonate
LENS MATERIAL	Toughened glass
BRACKET MATERIAL	304 Stainless Steel
FINISH	AkzoNobel Powder-Coat
COLOUR	Black, Grey
WEIGHT (with Driver)	31.6kg
WEIGHT (without Driver)	23.4kg

TECHNICAL DATA

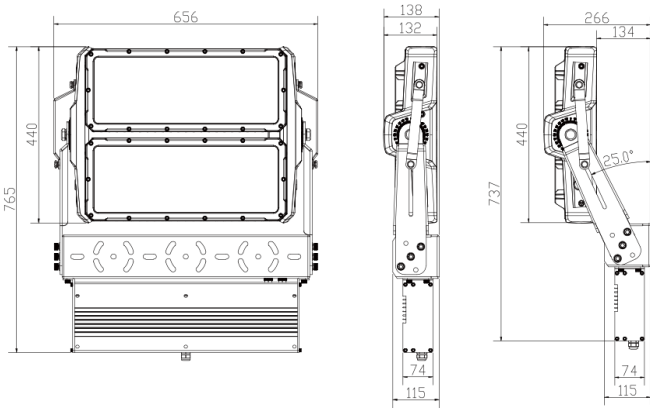
IP RATING	IP66
IK RATING	IK09
OPERATING TEMP	-30° to +50°C
PROTECTION CLASS	Class 1
CERTIFICATIONS	ENEC / CB / SAA / CE
TEST REPORTS	LM-79, TM-21, ISTMT
WARRANTY	5 Year
EPA (0° tilt) with Driver	0.076m²
EPA (0° tilt) without Driver	0.063m²

SP SPORT DOUBLE

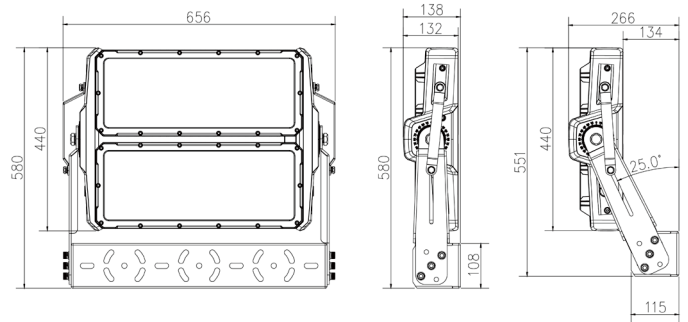
TECHNICAL DETAILS

DIMENSIONS

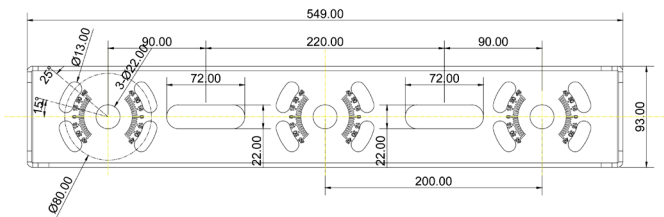
Fitting



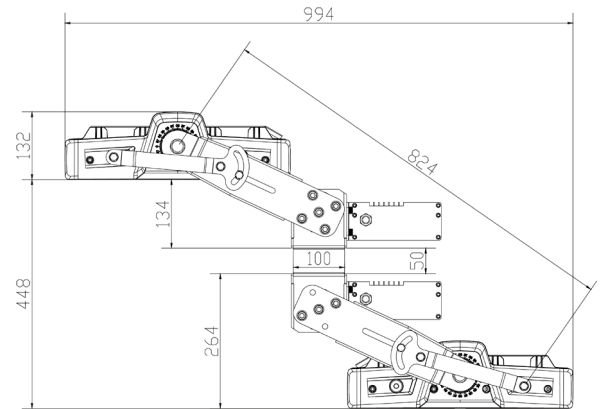
Fitting Without Driver



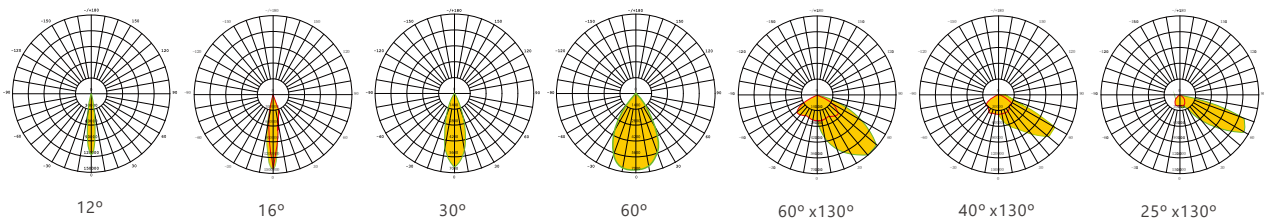
Bracket



Mounting - Above/Below



PHOTOMETRIC DIAGRAMS




IMAGES



SP SPORT DOUBLE

PROFESSIONAL FLOODLIGHT

 147lm/W
System Efficacy

 5 Year
Warranty

 IK09
Rated

 IP66
Rated



FEATURES

- Massive light output of up to 176,400lm
- Ultra-high system efficiency of up to 147lm/W
- High quality Lumileds LED Chip and Inventronics Driver
- Long >10,2000 hours lifespan to L70
- Professionally Designed True Asymmetric Flat Optics
- Tough IP66 and IK09 construction
- Suitable for coastal areas (with optional 316 stainless steel bracket)
- High quality AkzoNobel anti-corrosion Powder-coating

CODE	POWER	LUMEN OUTPUT	EFFICACY
SP-1200	1200W	176,400lm	147lm/W

LIGHTING DATA

LIGHT SOURCE	Lumileds/Osram chip
LIFETIME @L70	>10,2000hrs
CCT	5000K (3000K, 4000K, 5700K available)
CRI	>70 (>80, >90 available)
SDCM	<5 (<3 available)
BEAM ANGLE	12°, 16°, 30°, 60°
ASYMMETRIC	AS-L, AS-R, AS-LR 25°X130°, 40°X130°, 60°X130°

ELECTRICAL DATA

POWER SUPPLY	Inventronics Driver
INPUT VOLTAGE	100-227V/AC, 50-60Hz
POWER FACTOR (Typ)	≥0.97
THD (Typ)	<8%
SURGE PROTECTION	10kV
PROTECTIONS	SCP, OTP, OVP, OCP
DRIVER LIFETIME	>100,000hrs
DIMMABLE OPTIONS	1-10V, DALI, DMX

DESIGN / CONSTRUCTION

BODY MATERIAL	Aluminium
OPTICS MATERIAL	Polycarbonate
LENS MATERIAL	Toughened glass
BRACKET MATERIAL	304 Stainless Steel
FINISH	AkzoNobel Powder-Coat
COLOUR	Black, Grey
WEIGHT (with Driver)	34.5kg
WEIGHT (without Driver)	27kg

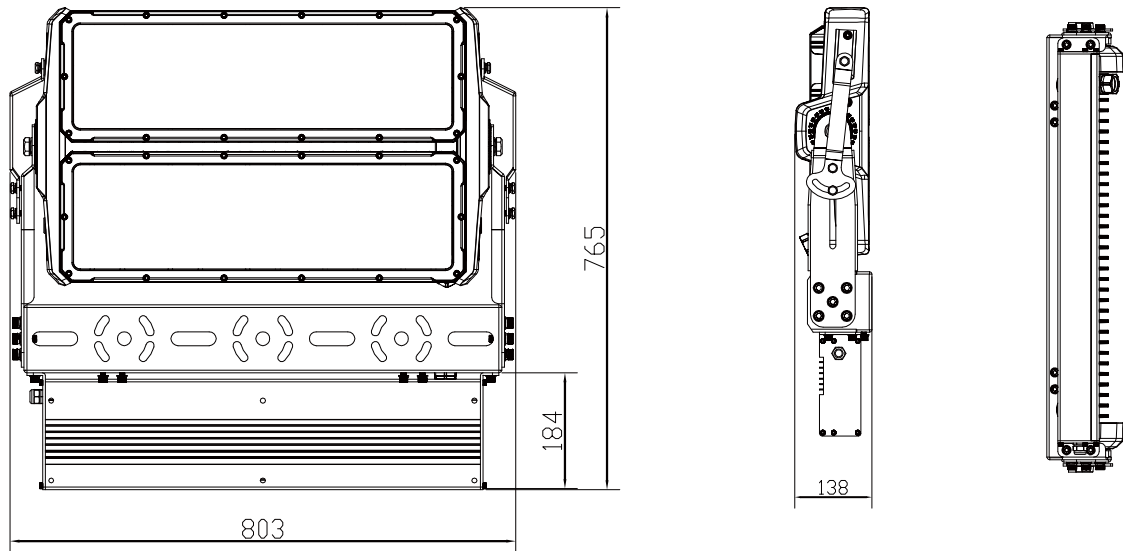
TECHNICAL DATA

IP RATING	IP66
IK RATING	IK09
OPERATING TEMP	-30° to +50°C
PROTECTION CLASS	Class 1
CERTIFICATIONS	CE / ROHS
TEST REPORTS	LM-79, TM-21, ISTMT
WARRANTY	5 Year
EPA (0° tilt) with Driver	
EPA (0° tilt) without Driver	

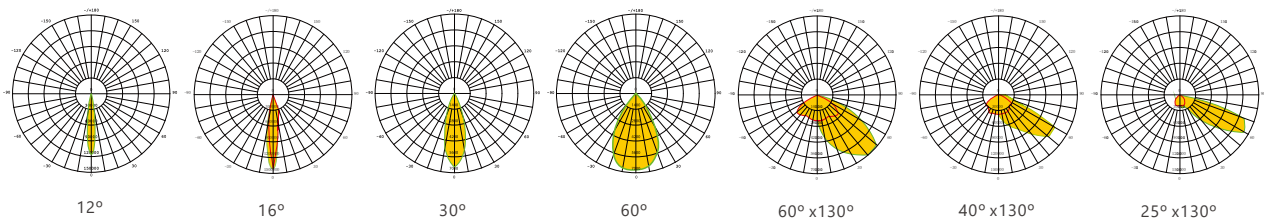
SP SPORT DOUBLE

TECHNICAL DETAILS

DIMENSIONS



PHOTOMETRIC DIAGRAMS




IMAGES



SP SPORT TRIPLE

PROFESSIONAL FLOODLIGHT

 147lm/W
System Efficacy

 5 Year
Warranty

 IK09
Rated

 IP66
Rated



FEATURES

- Massive light output of up to 242,550lm
- Ultra-high system efficiency of up to 147lm/W
- High quality Lumileds LED Chip and Inventronics Driver
- Long >10,2000 hours lifespan to L70
- Professionally Designed True Asymmetric Flat Optics
- Tough IP66 and IK09 construction
- Suitable for coastal areas (with optional 316 stainless steel bracket)
- High quality AkzoNobel anti-corrosion Powder-coating

CODE	POWER	LUMEN OUTPUT	EFFICACY
SP-1440	1440W	211,680lm	147lm/W
SP-1650	1650W	242,550lm	147lm/W

LIGHTING DATA

LIGHT SOURCE	Lumileds/Osram chip
LIFETIME @L70	>10,2000hrs
CCT	5000K (3000K, 4000K, 5700K available)
CRI	>70 (>80, >90 available)
SDCM	<5 (<3 available)
BEAM ANGLE	12°, 16°, 30°, 60°
ASYMMETRIC	AS-L, AS-R, AS-LR 25°X130°, 40°X130°, 60°X130°

ELECTRICAL DATA

POWER SUPPLY	Inventronics Driver
INPUT VOLTAGE	100-227V/AC, 50-60Hz
POWER FACTOR (Typ)	≥0.97
THD (Typ)	<8%
SURGE PROTECTION	10kV
PROTECTIONS	SCP, OTP, OVP, OCP
DRIVER LIFETIME	>100,000hrs
DIMMABLE OPTIONS	1-10V, DALI, DMX

DESIGN / CONSTRUCTION


BODY MATERIAL	Aluminium
OPTICS MATERIAL	Polycarbonate
LENS MATERIAL	Toughened glass
BRACKET MATERIAL	304 Stainless Steel
FINISH	AkzoNobel Powder-Coat
COLOUR	Black, Grey
WEIGHT (with Driver)	43.8kg
WEIGHT (without Driver)	33.0kg

TECHNICAL DATA

IP RATING	IP66
IK RATING	IK09
OPERATING TEMP	-30° to +50°C
PROTECTION CLASS	Class 1
CERTIFICATIONS	ENEC / CB / SAA / CE
TEST REPORTS	LM-79, TM-21, ISTMT
WARRANTY	5 Year
EPA (0° tilt) with Driver	0.109m ²
EPA (0° tilt) without Driver	0.089m ²

SP SPORT TRIPLE

PROFESSIONAL FLOODLIGHT

 147lm/W
System Efficacy

 5 Year
Warranty

 IK09
Rated

 IP66
Rated



FEATURES

- Massive light output of up to 264,600lm
- Ultra-high system efficiency of up to 147lm/W
- High quality Lumileds LED Chip and Inventronics Driver
- Long >10,2000 hours lifespan to L70
- Professionally Designed True Asymmetric Flat Optics
- Tough IP66 and IK09 construction
- Suitable for coastal areas (with optional 316 stainless steel bracket)
- High quality AkzoNobel anti-corrosion Powder-coating

CODE	POWER	LUMEN OUTPUT	EFFICACY
SP-1800	1800W	264,600lm	147lm/W

LIGHTING DATA

LIGHT SOURCE	Lumileds/Osram chip
LIFETIME @L70	>10,2000hrs
CCT	5000K (3000K, 4000K, 5700K available)
CRI	>70 (>80, >90 available)
SDCM	<5 (<3 available)
BEAM ANGLE	12°, 16°, 30°, 60°
ASYMMETRIC	AS-L, AS-R, AS-LR 25°X130°, 40°X130°, 60°X130°

ELECTRICAL DATA

POWER SUPPLY	Inventronics Driver
INPUT VOLTAGE	100-227V/AC, 50-60Hz
POWER FACTOR (Typ)	≥0.97
THD (Typ)	<8%
SURGE PROTECTION	10kV
PROTECTIONS	SCP, OTP, OVP, OCP
DRIVER LIFETIME	>100,000hrs
DIMMABLE OPTIONS	1-10V, DALI, DMX

DESIGN / CONSTRUCTION

BODY MATERIAL	Aluminium
OPTICS MATERIAL	Polycarbonate
LENS MATERIAL	Toughened glass
BRACKET MATERIAL	304 Stainless Steel
FINISH	AkzoNobel Powder-Coat
COLOUR	Black, Grey
WEIGHT (with Driver)	51kg
WEIGHT (without Driver)	40kg

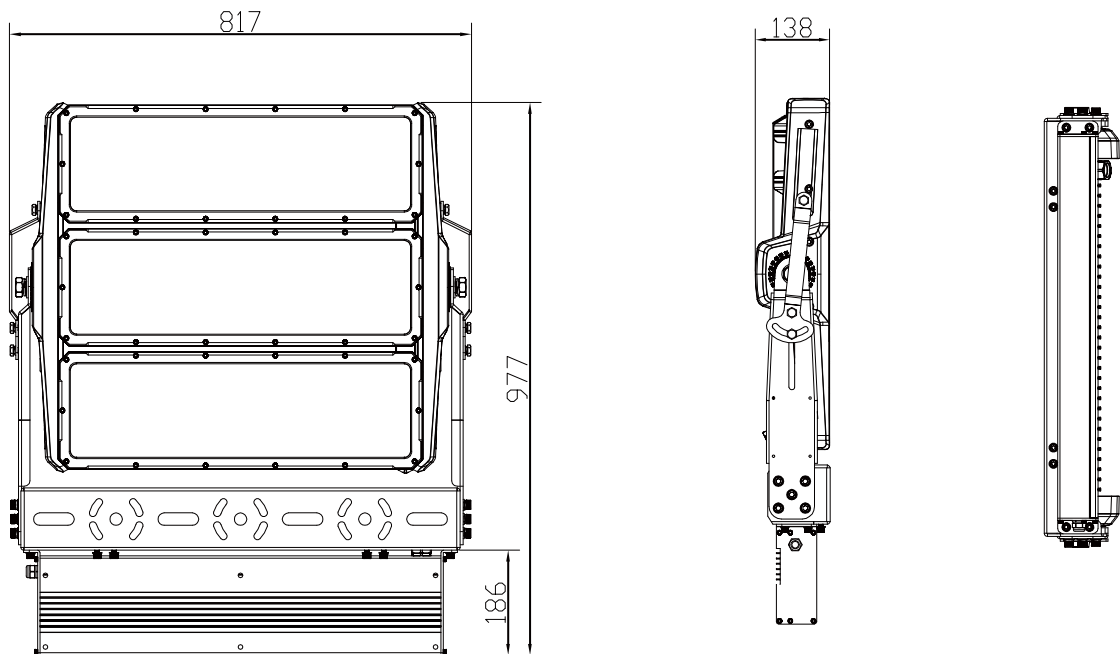
TECHNICAL DATA

IP RATING	IP66
IK RATING	IK09
OPERATING TEMP	-30° to +50°C
PROTECTION CLASS	Class 1
CERTIFICATIONS	CE / ROHS
TEST REPORTS	LM-79, TM-21, ISTMT
WARRANTY	5 Year
EPA (0° tilt) with Driver	
EPA (0° tilt) without Driver	

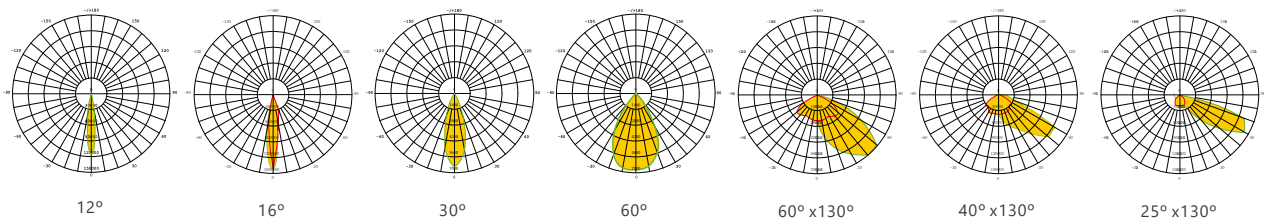
SP SPORT TRIPLE

TECHNICAL DETAILS

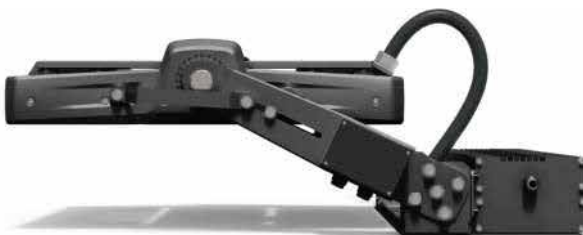
DIMENSIONS



PHOTOMETRIC DIAGRAMS



IMAGES

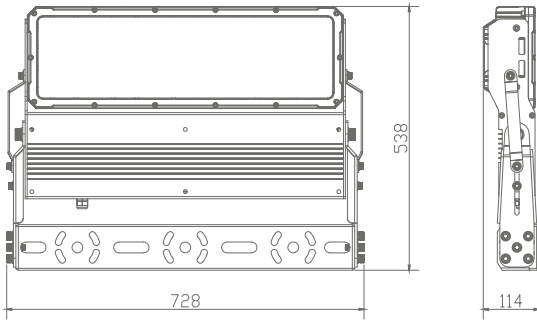


SP SPORT

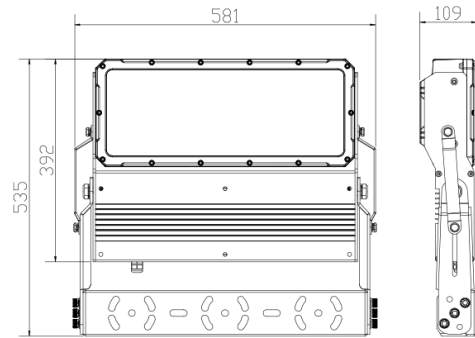
TECHNICAL DETAILS

DIMENSIONS

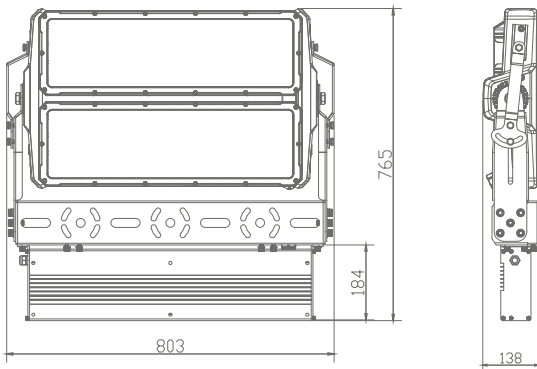
600W



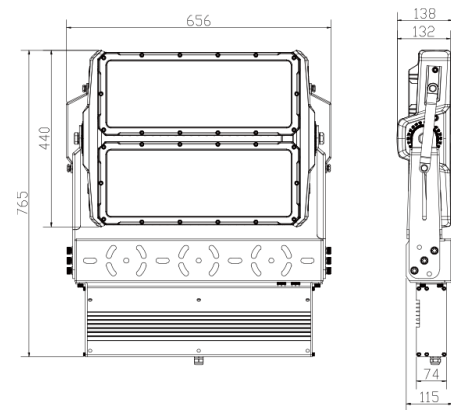
320/480/550W



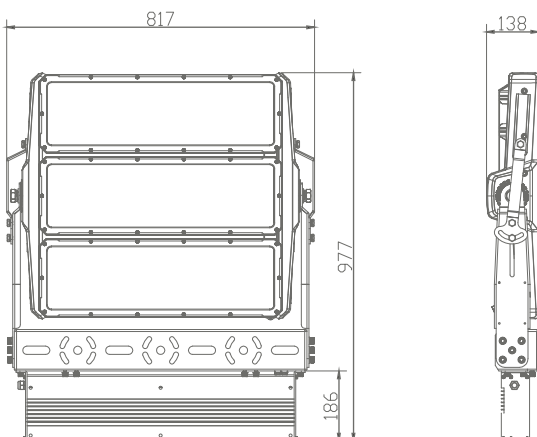
1200W



800/960/1100W



1800W



1440/1650W

