

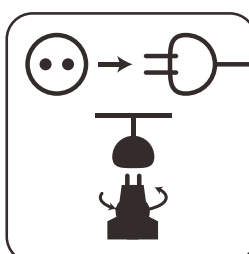
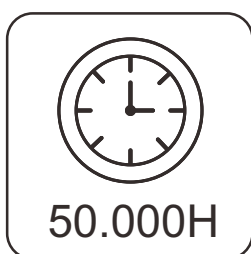
# High Bay iWIDE SERIES

LED UFO HIGH BAY

---



# EUROPEAN DESIGN PATENT



# Better Performance



Unique design & Anti-glaring Lens

---



**Unique Appearance Design**  
less market competition



**Old Appearance Design**  
too much market competition



**Anti-Glareing**  
more eye-protection



**Normal High Bay**  
high glaring





**More  
Flexible**



**Sensor Options**

*Micro-wave  
& Daylight*

*PIR  
& Daylight*

# PLUG-IN SENSOR

MOVEMENT DETECT



Range of exposure  
120°

12m

18m



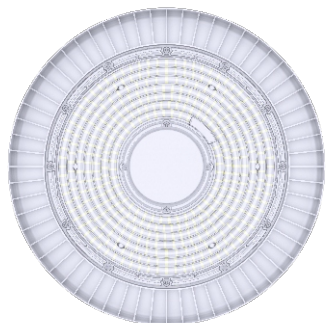
# Plug-in Sensor

Natural Light Detect

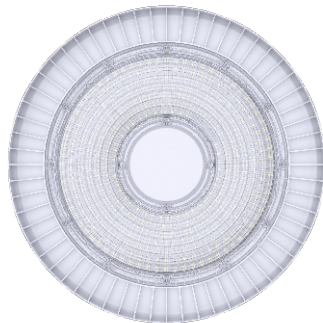
---



# Standard Version



**90° lens**

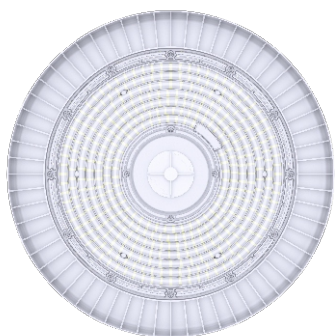


**110° Anti-glare Lens**

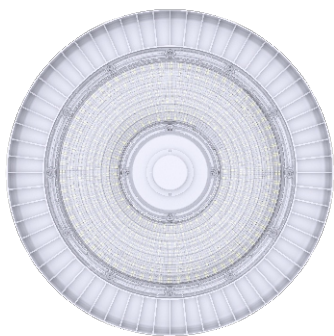


**Without Sensor**

# Plug-in Sensor Version



**90° lens**



**110° Anti-glare Lens**



**Sensor Available**



A photograph of a warehouse interior. In the foreground, a white Philips LED light fixture is shown. In the background, a blue forklift is visible, and the warehouse structure with its metal beams and red safety railings is seen. The lighting is bright, highlighting the industrial environment.

**Efficiency**  
**160lm/w**

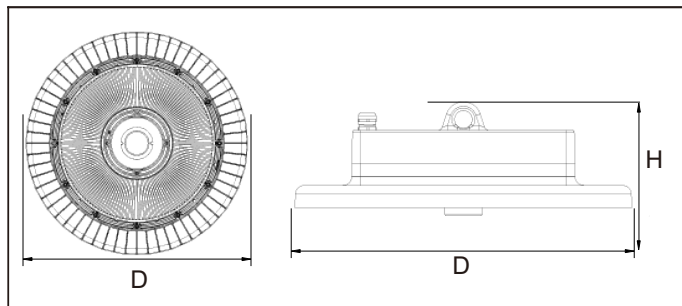
**PHILIPS LED + SOSEN Driver**  
**Long Lifetime 5 Years Warranty**





## Features

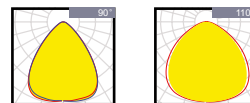
Housing: Die-cast  
 Thermal Conductivity: 96 W/m · K  
 LED: PHILIPS  
 CRI: Ra>80 ( 90 for option)  
 SDCM: <6  
 Power Factor: >0.95  
 THD: <15  
 Driver: SOSEN  
 Driver Efficiency: >93%  
 Protection: OTP, OCP, OVP, SCP  
 Surge Protection: 4KV  
 Waterproof: IP65  
 Impact Test: IK08  
 Electrical: 100-277V, 50/60Hz  
 Operating Temperature: -40~60 °C  
 LED TM21: L80B10>100,000H  
 Lifetime of driver: 50,000H



## Functions

ZigBee · PWM · 0/1~10V · Micro-wave

## Optical options:



160 lm/w

5 YEARS WARRANTY

Sosen Driver

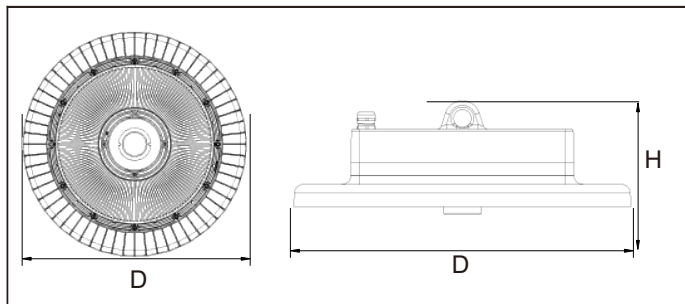
Philips LED

Model	Watt	Voltage	Lumen	CRI	IP	Dimension
HB-iW100AE4I-PY	100W	100~277V	16000LM	>80	IP65	D380*H130mm
HB-iW150AE4I-PY	150W	100~277V	24000LM	>80	IP65	D380*H130mm
HB-iW200AE4I-PY	200W	100~277V	32000LM	>80	IP65	D380*H130mm
HB-iW240AE4I-PY	240W	100~277V	38400LM	>80	IP65	D380*H130mm



# HB iWIDE series

## Packing



Model	Outer Carton(mm)			QTY / CTN	NW/CTN	GW/CTN
HB-iW100AE4I-PY	450	450	170	1	2.50	3.70
HB-iW150AE4I-PY	450	450	170	1	2.60	3.80
HB-iW200AE4I-PY	450	450	170	1	2.70	3.90
HB-iW240AE4I-PY	450	450	170	1	2.70	3.90

