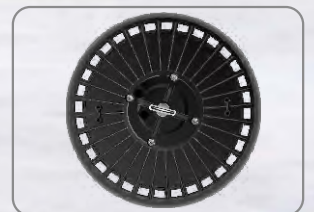
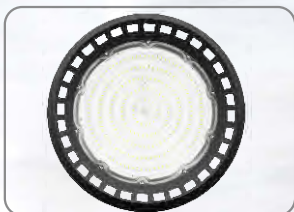


UFO LC Series

Value for Money

To buy a good quality but low price high bay light, our UFO LC is the best option. SOSEN/MOSO driver and Philips led are used to guarantee high quality and 5 years warranty. Die-cast housing and perfect design enhance user experience. Not only 5 years warranty is offered, but also lumen maintenance after 80,000hours is upto 80%. It is always a good value for money.



Value
for
Money



Chip
PHILIPS
Driver
SOSEN

To buy a good quality but low price high bay light, our UFO LC is the best option. SOSEN/MOSO driver and Philips led are used to guarantee high quality and 5 years warranty. Die-cast housing and perfect design enhance user experience. Not only 5 years warranty is offered, but also lumen maintenance after 80,000hours is up to 80%. It is always a good value for money.

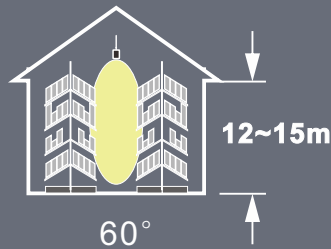
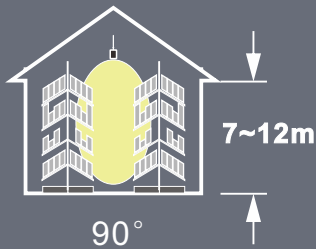
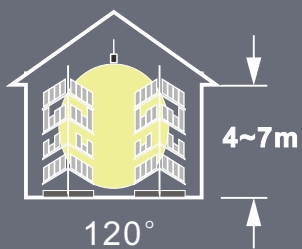
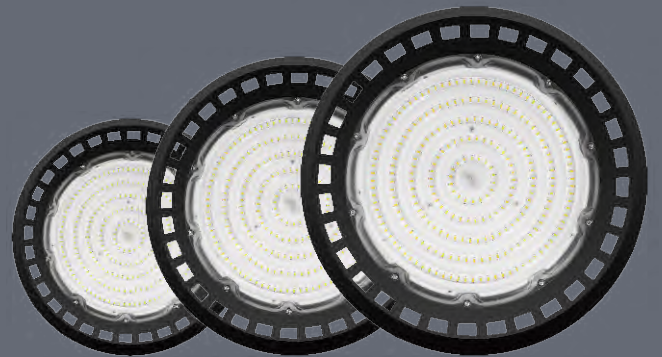


Efficiency
150



Lens

We provide 3 optics:
60/90/120°



More Than Good



Philips LED



SOSEN/MOSO Driver



Die-cast heatsink



Features

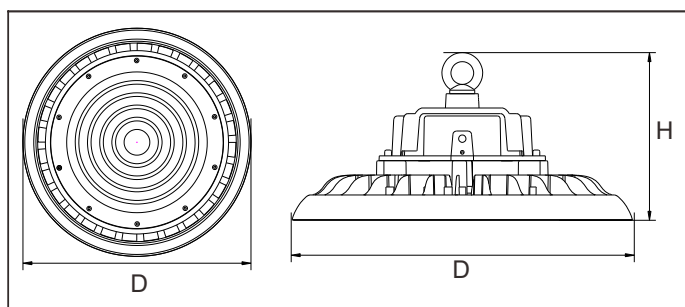
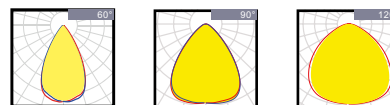
Housing: Die-cast
 Thermal Conductivity: 96 W/m·K
 Led: Philips
 CRI: Ra>80 (90 for option)
 SDCM: <6
 Power Factor: >0.95
 THD: <15
 Driver: SOSEN/MOSO
 Driver Efficiency: >93%
 Protection: OTP, OCP, OVP, SCP
 Surge Protection: 4KV
 Waterproof: IP65
 Impact Test: IK08
 Electrical: 100-277V, 50/60Hz
 Operating Temperature: -40~60 °C
 LED TM21: L80B10 >100,000H
 Lifetime of driver: 50,000H



Functions

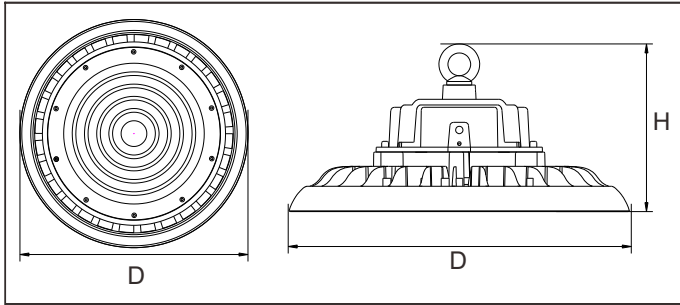
ZigBee · PWM · 0/1~10V · Micro-wave

Optical options:



Model	Watt	Voltage	Lumen	CRI	IP	Dimension
LC100CE0F-PS	100W	100~277V	15 000LM	>80 (90)	IP65	D258*H139MM
LC150CE2F-PS	150W	100~277V	22 500LM	>80 (90)	IP65	D299*H139MM
LC200CE4F-PS	200W	100~277V	30 000LM	>80 (90)	IP65	D347*H142MM

Packing



Model	Outer Carton(mm)			QTY / CTN	NW/CTN	GW/CTN
LC100CE0F-PS	305	305	150	1	1.80	2.40
LC150CE2F-PS	345	345	150	1	2.24	2.85
LC200CE4F-PS	395	395	150	1	3.30	4.00