



## NIX series LED Street Light

*Street lighting is a core piece of urban and rural infrastructure. Lighting helps to create a safe environment for both pedestrians and drivers. Many streetlights around the world are now being updated to LED lighting, which uses less energy and is more reliable than traditional sodium lamps, significantly reducing the cost of keeping streets illuminated.*

*Designed from the ground up as a totally optimized LED street and area lighting system, our street light delivers incredible efficiency without sacrificing application performance.*





## Street Light

IP66, IK10

6~20kv Surge Protection

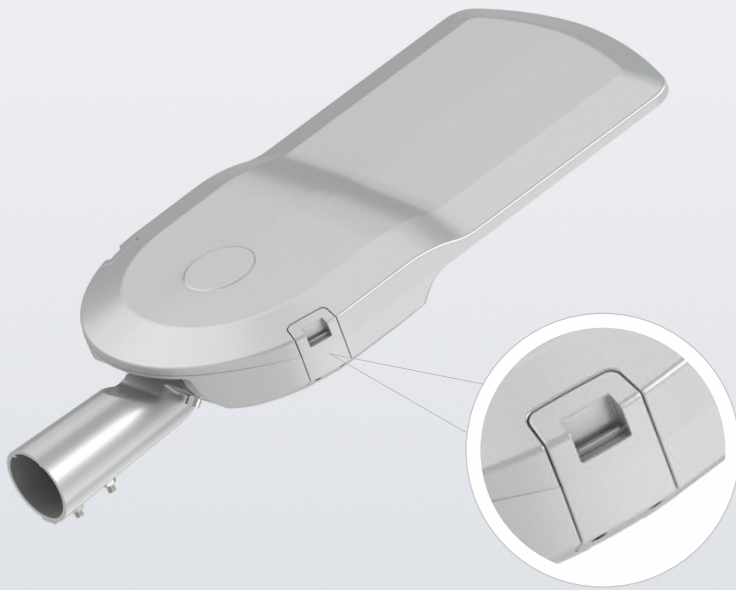
High bright 160lm/w



Tempered Glass  
PMMA lens

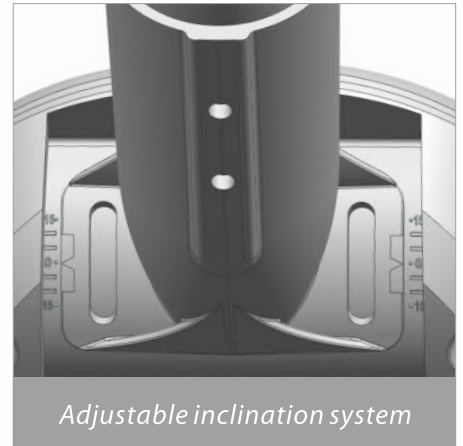
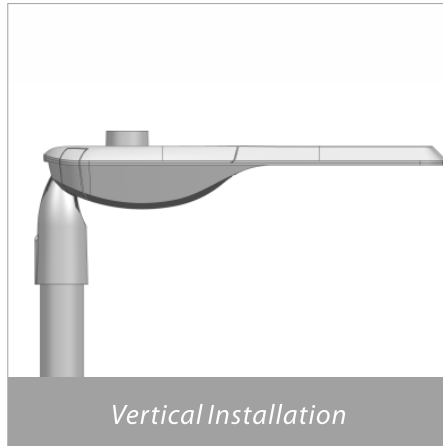
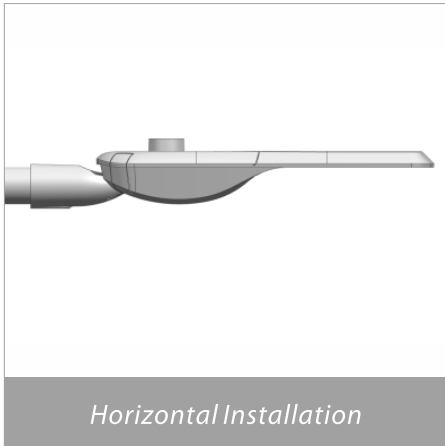


Smooth back cover design  
Anti-dust and bird droppings



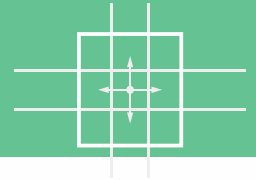
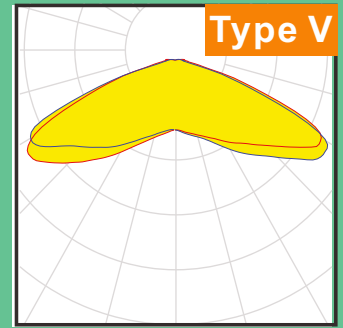
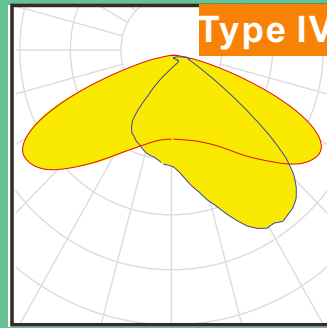
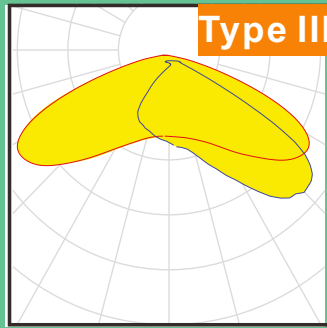
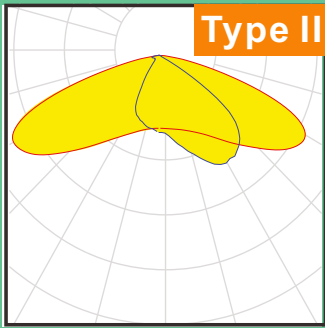
Tool-free open design  
Easy to rewire and repair

### Precise Angle Rotation



**IP66 Waterproof**  
**6kv/20kv Surge Protection**

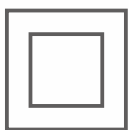
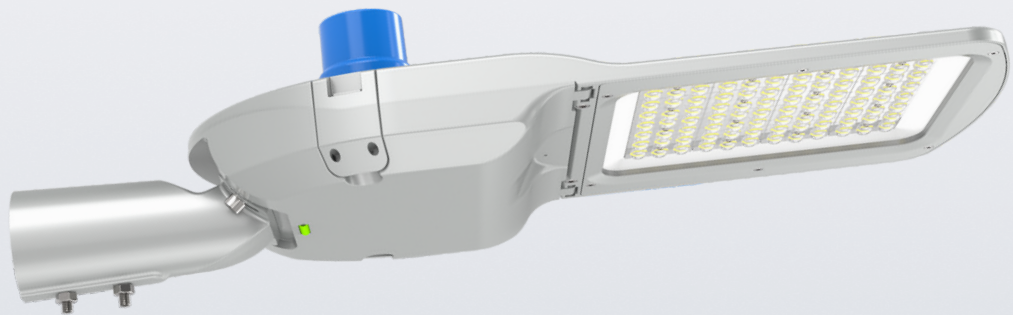
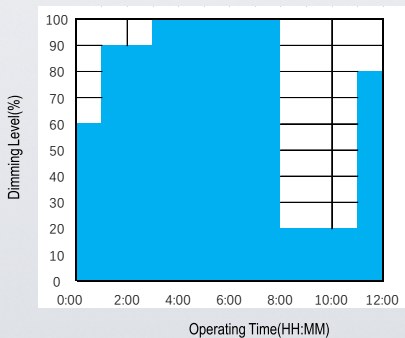




IESNA STANDARD	Roadway width / Mounting Height	
	One side mounting	Both side mounting
Type II	Up to 1 times MH	Up to 2 times MH
Type III	Up to 1.5 times MH	Up to 3 times MH
Type IV	Up to 2 times MH	Up to 4 times MH
Type V	Up to 4 times MH	

Auto dimming & Timming function

Easy to manage, more saving



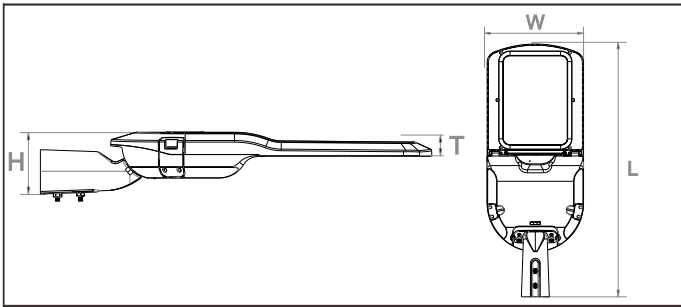
**Class II**

Class II is sometimes known as “double insulated”. This is an IEC protection class and refers to the power supply’s internal construction and electrical insulation. The output is considered safe to contact and no major safety protection is required at the LED/luminaire level. There is no risk of fire or electric shock.



## Features

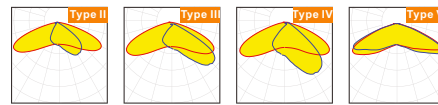
- Housing: Die-cast Aluminum
- Thermal Conductivity: 96 W/m·K
- Led: CREE
- CRI: Ra>70
- SDCM: <6
- Power Factor: >0.95
- THD: <15
- Driver: Meanwell XLG
- Driver Efficiency: >90%
- Protection: OTP, OCP, OVP, SCP
- Surge Protection: 6-20KV
- Waterproof: IP66
- Impact Test: IK10
- Electrical: 100-277V, 50/60Hz
- Operating Temperature: -40~50 °C
- TM21: L90B10>60,000H
- Lifetime: 100,000H



## Functions

DALI · 0/1~10V · Timing · Program · Always-on Auxiliary

## Optical options:



140  
~160lm/w

5 YEARS  
WARRANTY

Meanwell  
Driver

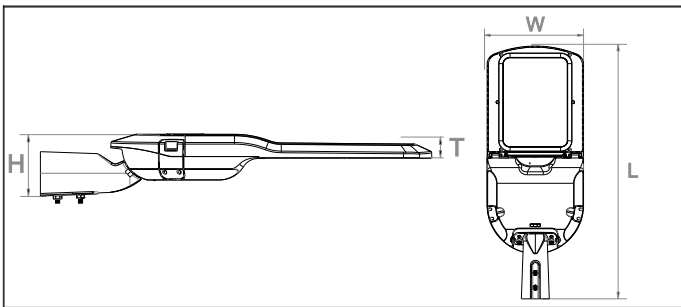
CREE  
LED

Model	Watt	Voltage	Lumen	CRI	IP	Dimension
NIX024PE1G-CM	24W	100~277V	3840LM	>70	IP66	L568*W200*H109mm
NIX040PE1G-CM	40W	100~277V	6400LM	>70	IP66	L568*W200*H109mm
NIX060PE1G-CM	60W	100~277V	9000LM	>70	IP66	L568*W200*H109mm
NIX080PE1G-CM	80W	100~277V	12000LM	>70	IP66	L613*W240*H109mm
NIX100PE1G-CM	100W	100~277V	15000LM	>70	IP66	L613*W240*H109mm
NIX120PE1G-CM	120W	100~277V	16800LM	>70	IP66	L613*W240*H109mm
NIX150PE1G-CM	150W	100~277V	21000LM	>70	IP66	L683*W260*H109mm
NIX180PE1G-CM	180W	100~277V	25200LM	>70	IP66	L693*W300*H109mm
NIX200PE1G-CM	200W	100~277V	28000LM	>70	IP66	L693*W300*H109mm



## Features

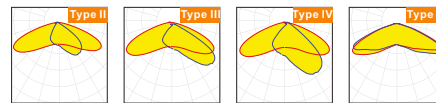
Housing: Die-cast Aluminum  
 Thermal Conductivity: 96 W/m·K  
 Led: CREE  
 CRI: Ra>70  
 SDCM: <6  
 Power Factor: >0.95  
 THD: <15  
 Driver: PHILIPS  
 Driver Efficiency: >90%  
 Protection: OTP, OCP, OVP, SCP  
 Surge Protection: 6-20KV  
 Waterproof: IP66  
 Impact Test: IK10  
 Electrical: 100-277V, 50/60Hz  
 Operating Temperature: -40~50 °C  
 TM21: L90B10>60,000H  
 Lifetime: 100,000H



## Functions

DALI · 0/1~10V · Timing · Program · Always-on Auxiliary

## Optical options:



140  
~160lm/w

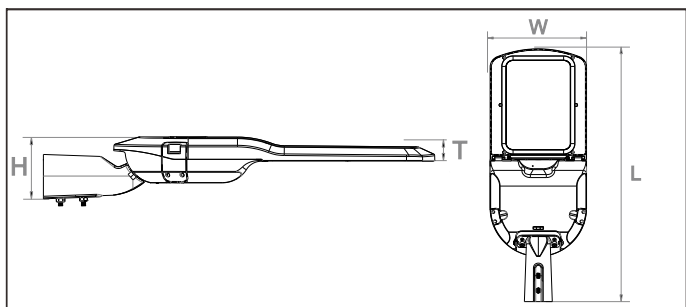
5 YEARS  
WARRANTY

PHILIPS  
Driver

CREE  
LED

Model	Watt	Voltage	Lumen	CRI	IP	Dimension
NIX024PE1G-CN	24W	100~277V	3840LM	>70	IP66	L568*W200*H109mm
NIX040PE1G-CN	40W	100~277V	6400LM	>70	IP66	L568*W200*H109mm
NIX060PE1G-CN	60W	100~277V	9000LM	>70	IP66	L568*W200*H109mm
NIX080PE1G-CN	80W	100~277V	12000LM	>70	IP66	L613*W240*H109mm
NIX100PE1G-CN	100W	100~277V	15000LM	>70	IP66	L613*W240*H109mm
NIX120PE1G-CN	120W	100~277V	16800LM	>70	IP66	L613*W240*H109mm
NIX150PE1G-CN	150W	100~277V	21000LM	>70	IP66	L683*W260*H109mm
NIX180PE1G-CN	180W	100~277V	25200LM	>70	IP66	L693*W300*H109mm
NIX200PE1G-CN	200W	100~277V	28000LM	>70	IP66	L693*W300*H109mm

# Packing



## Luminaire

Model	Dimension (mm)	Outer Carton(mm)			QTY / Outer CTN	Luminaire	
		L	W	H		NW(kg)	GW(kg)
NIX024PE1G-CM	568*200*109	623	255	150	1	3.50	4.57
NIX040PE1G-CM	568*200*109	623	255	150	1	3.50	4.57
NIX060PE1G-CM	568*200*109	623	255	150	1	3.50	4.57
NIX080PE1G-CM	613*240*109	666	295	150	1	4.57	5.27
NIX100PE1G-CM	613*240*109	666	295	150	1	4.57	5.27
NIX120PE1G-CM	613*240*109	666	295	150	1	4.57	5.27
NIX150PE1G-CM	683*260*109	736	315	150	1	5.77	6.56
NIX180PE1G-CM	693*300*109	747	355	150	1	6.04	6.92
NIX200PE1G-CM	693*300*109	747	355	150	1	6.04	6.92