

# G3 Park LED light



# G3 Park LED

170  
LM/W

- Die-cast Housing
- With tempered glass
- Surge Protection 6KV
- With Anti-UV lens



**Smooth Surface**  
Eliminate the risk of dust and water accumulation



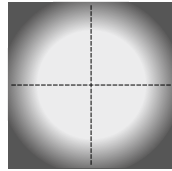
**Streamlined design**  
minimize light loss

**IP66**

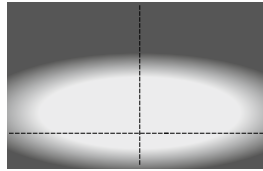




The symmetric light distribution is ideal for illuminating squares, plazas and other open areas while the asymmetric light distribution is ideal for illuminating streets and pathways.

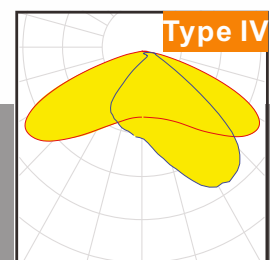
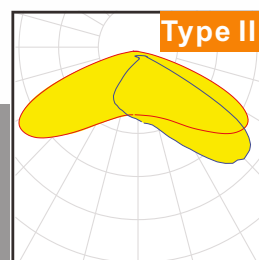
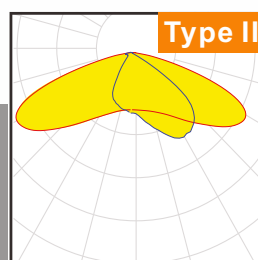
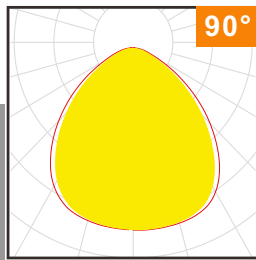


Symmetric

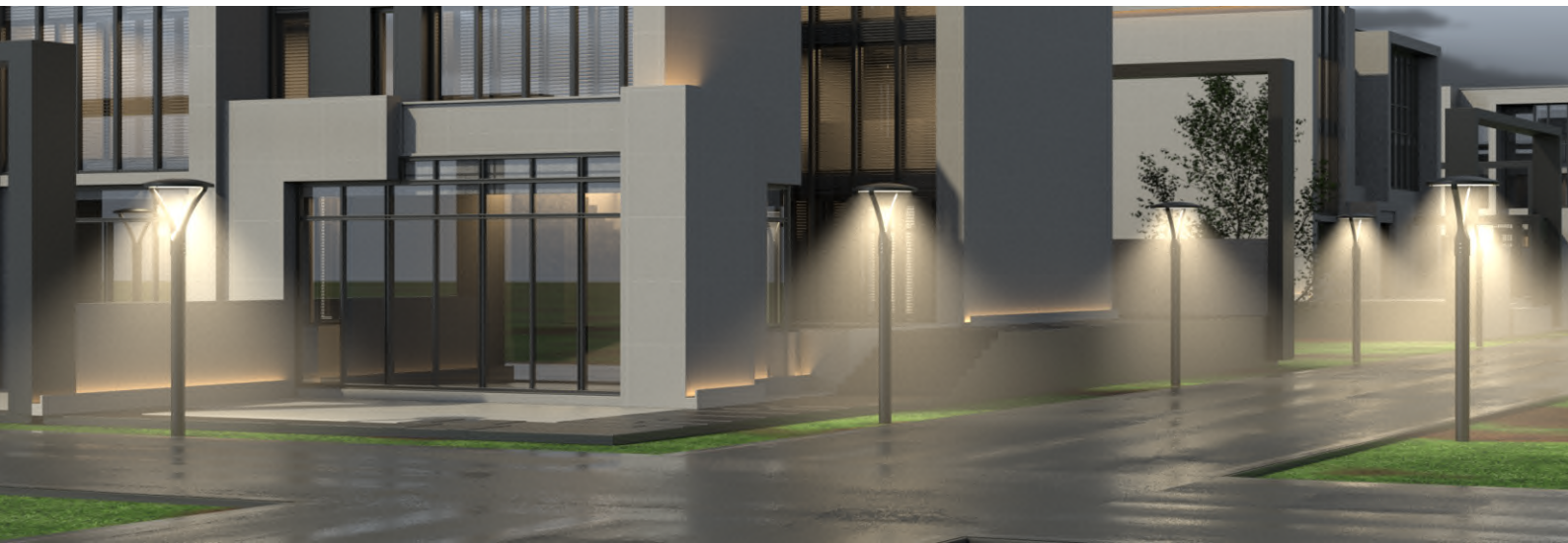


Asymmetric

## Professional Optics



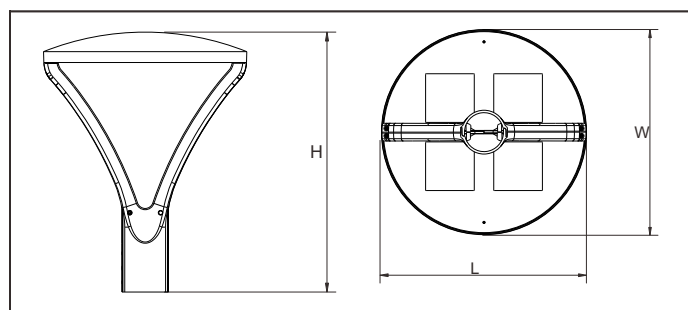
IESNA STANDARD	Roadway width / Mounting Height	
	One side mounting	Both side mounting
Type II	Up to 1 times MH	Up to 2 times MH
Type III	Up to 1.5 times MH	Up to 3 times MH
Type IV	Up to 2 times MH	Up to 4 times MH





## Features

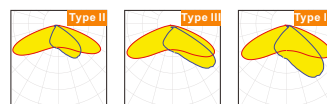
Housing: Die-cast Aluminum  
 Thermal Conductivity: 96 W/m·K  
 Led: Philips  
 CRI: Ra>70  
 SDCM: <6  
 Power Factor: >0.95  
 THD: <15  
 Driver: Meanwell  
 Driver Efficiency: >93%  
 Protection: OTP, OCP, OVP, SCP  
 Surge Protection: 6KV  
 Waterproof: IP66  
 Impact Test: IK08  
 Electrical: 100-277V, 50/60Hz  
 Operating Temperature: -40~50°C  
 TM21: L90B10>50,000H  
 Lifetime: 50,000H



## Functions

PWM · DALI · 0/1~10V

## Optical options:



170 lm/w

5 YEARS WARRANTY

Meanwell Driver

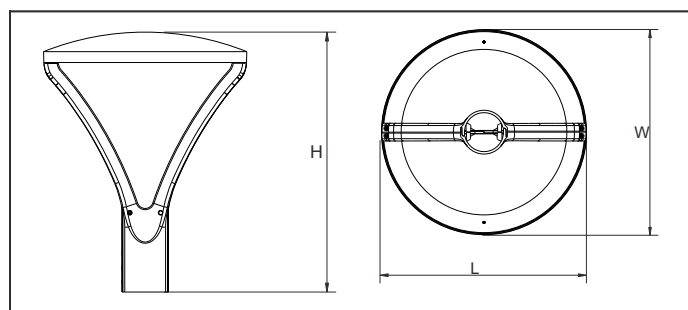
Philips LED

Model	Watt	Voltage	Lumen	CRI	IP	Dimension
G3-030HE1H-P	30W	100~277V	5100LM	>70	IP66	L422*W422*H539MM
G3-040HE1H-P	40W	100~277V	6800LM	>70	IP66	L422*W422*H539MM
G3-060HE1H-P	60W	100~277V	9600LM	>70	IP66	L422*W422*H539MM
G3-090HE1H-P	90W	100~277V	13500LM	>70	IP66	L422*W422*H539MM



## Features

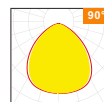
Housing: Die-cast Aluminum  
 Thermal Conductivity: 96 W/m·K  
 Led: Philips  
 CRI: Ra>70  
 SDCM: <6  
 Power Factor: >0.95  
 THD: <15  
 Driver: Meanwell  
 Driver Efficiency: >93%  
 Protection: OTP, OCP, OVP, SCP  
 Surge Protection: 6KV  
 Waterproof: IP66  
 Impact Test: IK08  
 Electrical: 100-277V, 50/60Hz  
 Operating Temperature: -40~50°C  
 TM21: L90B10>50,000H  
 Lifetime: 50,000H



## Functions

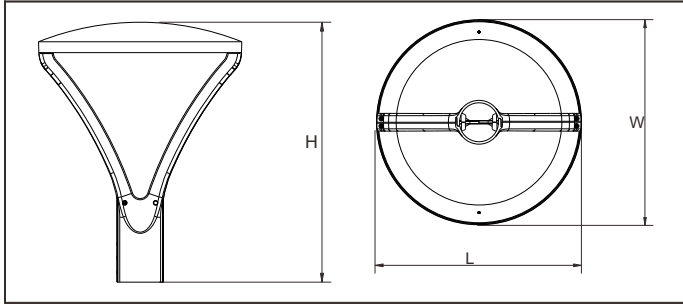
PWM · DALI · 0/1~10V

## Optical options:



Model	Watt	Voltage	Lumen	CRI	IP	Dimension
G3-030HEGH-P	30W	100~277V	4500LM	>70	IP66	L422*W422*H539MM
G3-040HEGH-P	40W	100~277V	6000LM	>70	IP66	L422*W422*H539MM
G3-060HEGH-P	60W	100~277V	9000LM	>70	IP66	L422*W422*H539MM
G3-090HEGH-P	90W	100~277V	13500LM	>70	IP66	L422*W422*H539MM

# Packing



Model	Outer Carton (mm)	QTY/CTN	N.W. (kg)	G.W. (kg)
G3-030GE	520 470 227	1	5.7	6.8
G3-040GE	520 470 227	1	5.7	6.8
G3-060GE	520 470 227	1	5.7	6.8
G3-090GE	520 470 227	1	5.7	6.8