

Specifications - TN LED Tunnel Light

Version: 3.0



Electrical Information				
Model No.	TN-060	TN-090	TN-120	TN-150
Power Consumption (±5%)	60W	90W	120W	150W
Power Supply	Philips			
Input Voltage	AC220-240V, 50 / 60 Hz			
Power Factor	>0.90			
Surge Protection	6kV line-line, 10kV line-earth			
Driver Type	Constant Current (CC)			
Protection Class	Class I/Class II			
Control	DALI dimmable, Timer dimming, Non-dimmable, 1-10V Dimmable			

Optic Information				
LED Type	LED 3030			
Luminous Flux (±10%)	9000LM	13500LM	18000LM	22500LM
Efficacy(@4000K Ra70)	150LM/W			
Correlated Color Temperature	4000K (3000K, 5000K optional)			
Color Rendering Index	Ra70 (Ra80 optional)			
Beam Angle	R01203, R01204, R01205, R01207, R01208			
UGR level	NA			

Description

TN brings elegance to tunnel lighting, separate driver box design for better protection and easier maintenance. Highly reliable, environment friendly materials for corrosion proof.

Dimensions and Mount

Product Dimension	Lamp Body	308x206x194mm	358x206x194mm	459x206x194mm	510x206x194mm
	Power Supply	397x137x219mm			
Net Weight	Lamp Body	1.6±0.3kg	1.9±0.3kg	2.5±0.3kg	3.0±0.3kg
	Power Supply	1.9±0.3kg			
Export Carton Size	Lamp Body	411x255x130mm	461x255x130mm	562x255x130mm	612x255x130mm
	Power Supply	513x184x155mm			
Gross Weight	Lamp Body	2.1±0.3kg	2.4±0.3kg	3.0±0.3kg	3.5±0.3kg
	Power Supply	2.4±0.3kg			
Mounting Option	Hook Mount/Ceiling Mount (Adjustable)				
Material	Aluminum Alloy				
Finish	Powder Coating				
Fixture Color	Gray				
EPA	NA				
IK Rating	IK09				
IP Rating	IP66				

Key Features

- Great corrosion resistance, passed 1000H salty spray test.
- Full power covers 60W 90W 120W 150W
- 150lm/W
- IP66, CLASS II, DALI dimming.
- Strengthened Glass to ensure the IK Protection, and easy to clean.
- Excellent heat dissipation.
- Asymmetric optic: TYPE II/TYPE III
- Adjustable ceiling mount and Hook Mount are optional for different type of tunnels.

Lifespan and Warranty

Operating Temperature	-30°C to +50°C(-22°F to +122°F)
Life Time of LED @Ta=25°C	>61,000hrs-L90
	>135000hrs-L80
	>219000hrs-L70
Warranty	5 Years

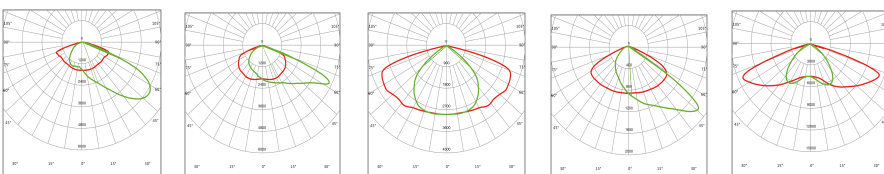
Applications

- Fast-speed, Medium-speed, and Low-speed tunnel

New Features

- 300W is available

Photometry



R01203

R01204

R01205

R01207

R01208

Mounting Options



Hook mounting

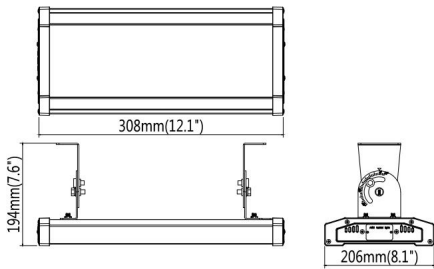


Ceiling mounting

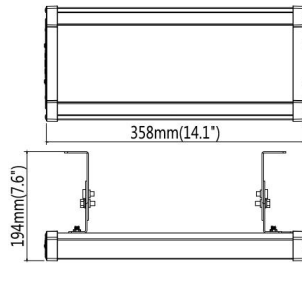
Dimensions

Ceiling mounting

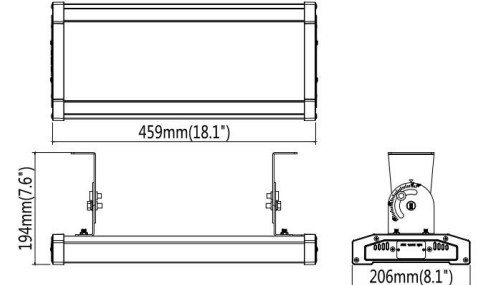
60W (Lamp Body)



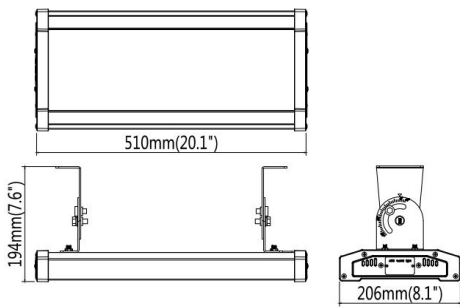
90W (Lamp Body)



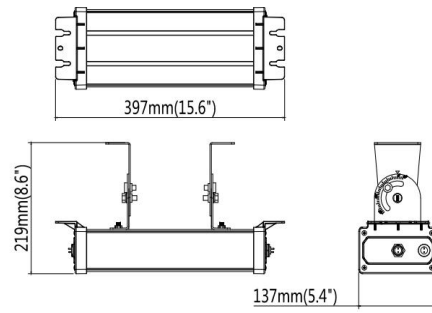
120W (Lamp Body)



150W (Lamp Body)

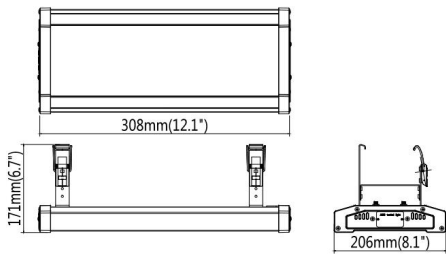


Power

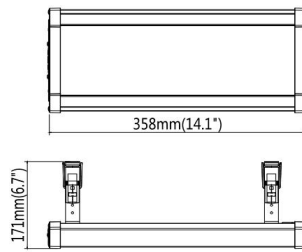


Hook mounting

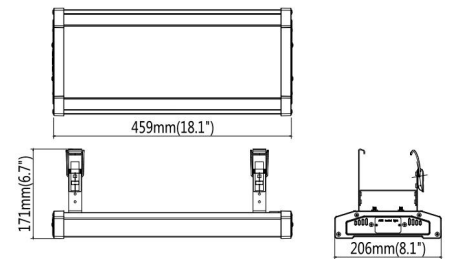
60W (Lamp Body)



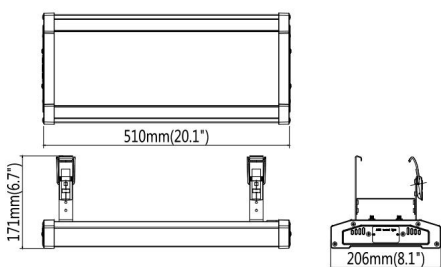
90W (Lamp Body)



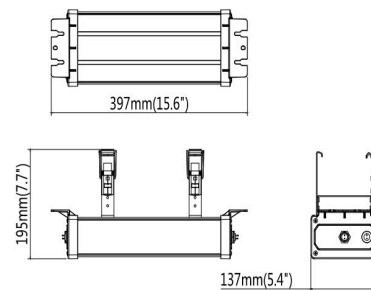
120W (Lamp Body)



150W (Lamp Body)



Power Supply

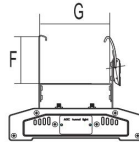




Hook mount bracket

Stainless steel materials, 3 kinds of size for option.

- Code: BC-T02-01 (100mm wide)
- Code: BC-T02-01a (200mm wide)
- Code: BC-T02-01b (300mm wide)



G(mm/in)	F(mm/in)
100(3.94")	75(2.95")
200(7.87")	75(2.95")
300(11.81")	75(2.95")



Ceiling mount bracket

±45° adjustable bracket.

Code: BC-T02-02