

LED Linear System @ SLine

(UGR<19)



Specification Sheet



Product Customization



Marketing Promotion



Dialux Design



Tech. Support

Characteristics:

- Low UGR: UGR<19(30°&60°&D25°), UGR<25(90°)
- Saving energy: up to160lm/w luminous efficacy;
- Saving installation costs: Modularization, tool-free;
- Saving maintenance costs: 5 years warranty;
- Controllable: DALI dimming / 0-10V dimming / Tunable White;
- Linkable system: Seamless connection;
- Multiple beam angle: 30°, 60°, 90°,130°, Double 25°, Asymmetric Left/Right 25°;



Supermarket



Warehouse



Workshop

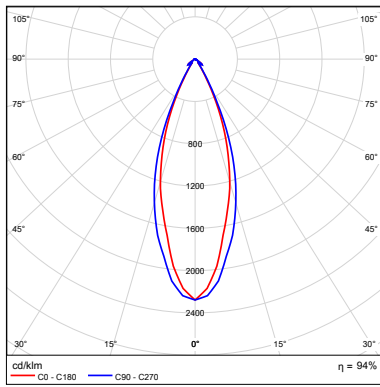


Architecture

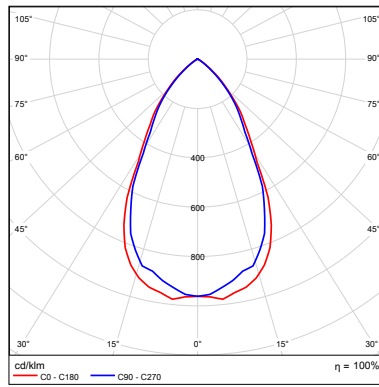
Linear System - SLine

	Item	Details	Remark
General	Module:	5FT 10FT	
	Length of module:	1410mm 2820mm	
	Trunking rail:	5FT 10FT	
	Length of trunking rail:	1525mm 2935mm	Trunking Optional: 15FT(4345mm).
	Length of Single lamp:	1435mm 2845mm	combine of module and rail without pre-wired
	Wattage:	40w, 50w, 65w, 80w 80w, 100w, 130w, 160w	
	Luminous efficacy:	up to 160lm/w	@4000K
	Color temperature:	3000K / 4000K / 5000K / 5700K / 6500K	≤5 SDCM
	CRI:	>80	
Optical	UGR:	<19(Double 25°&30°&60°), <25(90°)	not applicable to Left 25° / Right 25°
	Lamps:	with Samsung LED SMD2835	
	Lens:	prismatic structure, frosted / PC Cover	PC Cover is only for 130°
	Beam angle:	symmetric: 30° / 60° / 90° / 130° asymmetric: Double 25° / Left 25° / Right 25°	
	Light emission:	direct distribution	
	Service life:	L90B50, 50,000hrs	@25°C;
	Material & Color	Module:	Steel
Trunking rail:		Steel	
Lens:		PMMA(25° / 30° / 60° / 90°), PC Cover(130°)	25° includes Double 25° and Asymmetric 25°
Color:		white / black / silver	white is normal. Other colors are optional.
Electrical	Input voltage:	220-240V AC, 50/60Hz	100-277V AC, 50/60Hz is optional.
	Power supply connection:	wiring, 5, 7, 11 wires, 3, 5, 9 pins, with phase selection	
	Maximum loop current:	16A	
	Cable:	pre-wired inside of trunking rail, 2.5mm ² PVC indoor cable	
	Interconnector:	L type, T type and X type	
	LED Driver:	DALI / Non-dim: Osram, Philips	0-10V dim
	PF:	> 0.9	
	Function:	DALI / 0-10V Dimming, Motion&Daylight Sensor, Emergency kits	
Standards	Certification:	ENEC, KEMA, CB, CE	IEC/EN60598-1, IEC/EN60598-2-1, IEC62778,
	Insulation class:	insulation class I (protective earthing)	EN62493, IEC62262
	Protection rating:	IP50	
	Permissible ambient temperature:	-25...+45°C	ta=45°C
Dimension & mounting	Width&Height of luminaire module:	W65*H35mm / W65*H57mm	refer to the above length list for different model
	Width&Height of trunking rail	W65*H43mm	refer to the above length list for different model
	Weight:	5FT: 3.2kg/set; 10FT: 6.6kg/set;	1set = 1pcs of module + 1pcs of trunking rail
	Package:	Carton, 4pcs/ctn, 16.4kg/ctn, 26kg/ctn;	cartong dimension: 161*14*39cm(Lens)
	Mounting:	single/continuous arrangement	161*16*39cm(PC Cover)
		surface mounted / suspension	steel cord and steel chain is optional

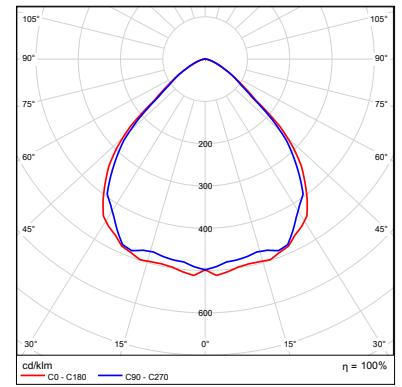
BEAM ANGLE



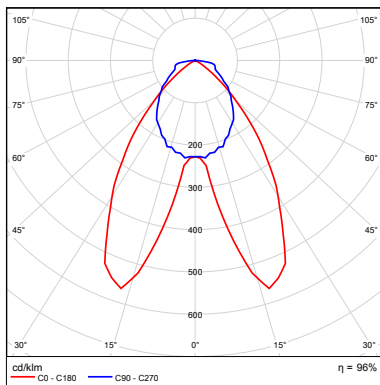
30°



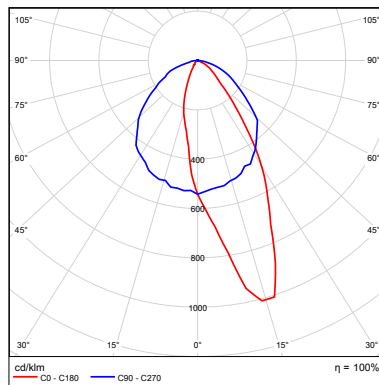
60°



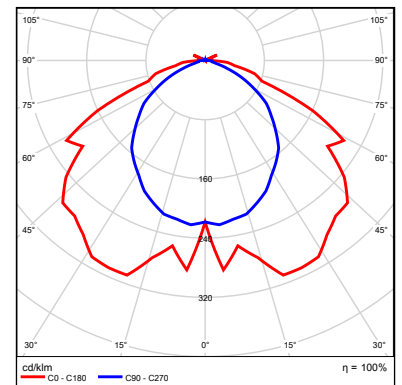
90°



Double 25°

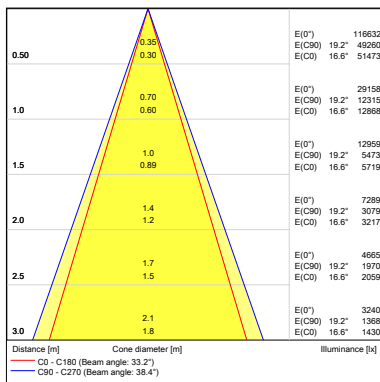


Asymmetric 25°

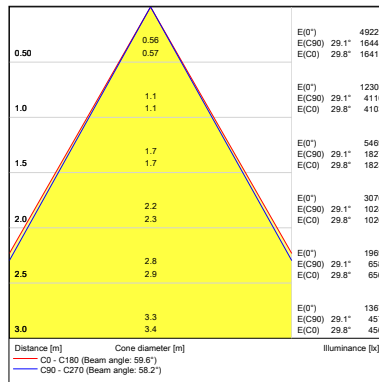


130°

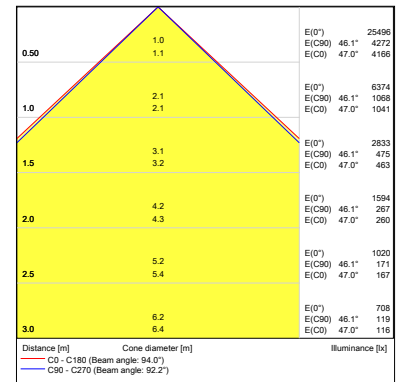
INTENSITY DISTRIBUTION



30°



60°



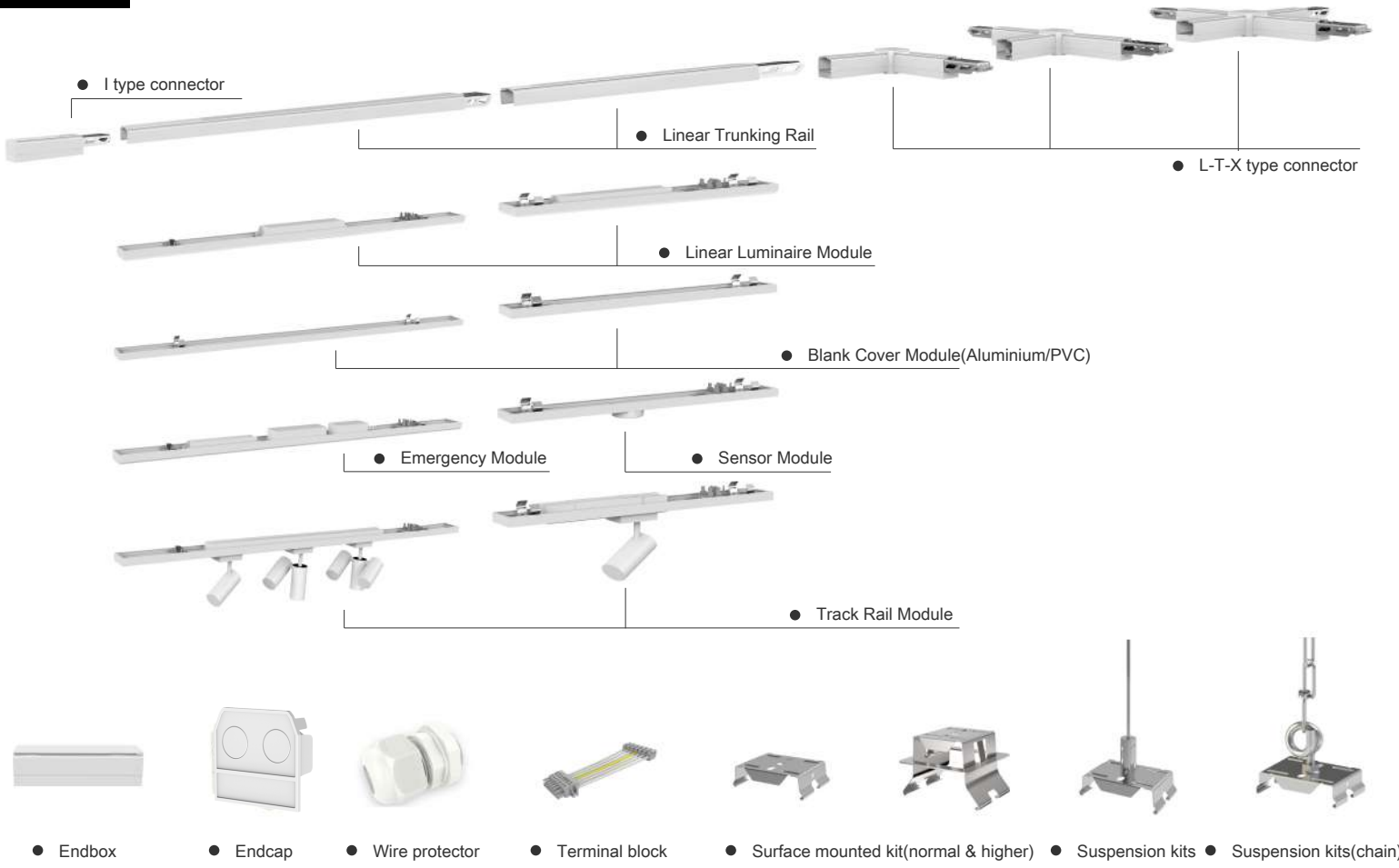
90°

i Remark:

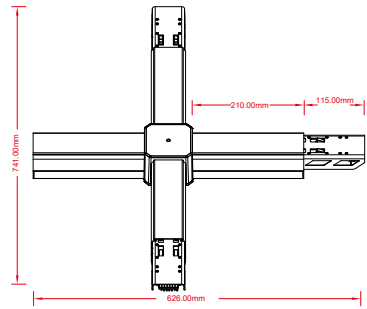
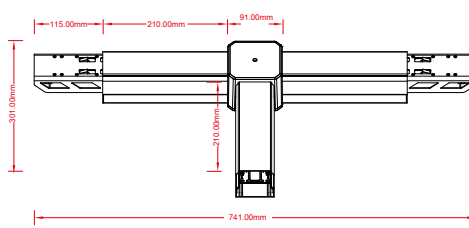
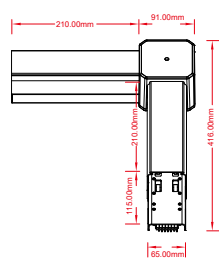
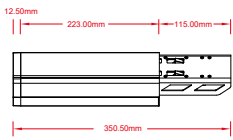
The above cone diagrams are based on the test data of 80W, 128000lm, 5700K.
Only refer to symmetric lighting distribution.
Data tolerance is ±10% according to the test equipment and environment.

OVERVIEW - Whole System

Whole view



Connector



I Type

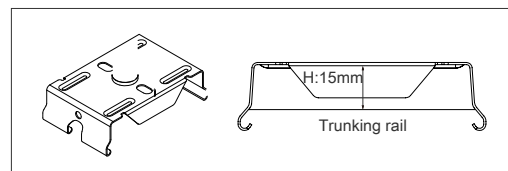
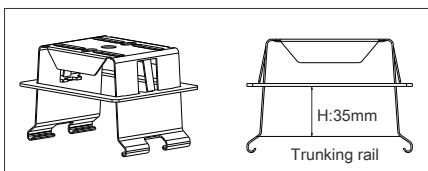
L Type

T Type

X Type



Surface Mounted Kits



APPEARANCE - Continuous Lamp(Excluding 130°)

ISO view



Side view 2



Front view

APPEARANCE - Continuous Lamp(PC Cover, 130°)

ISO view



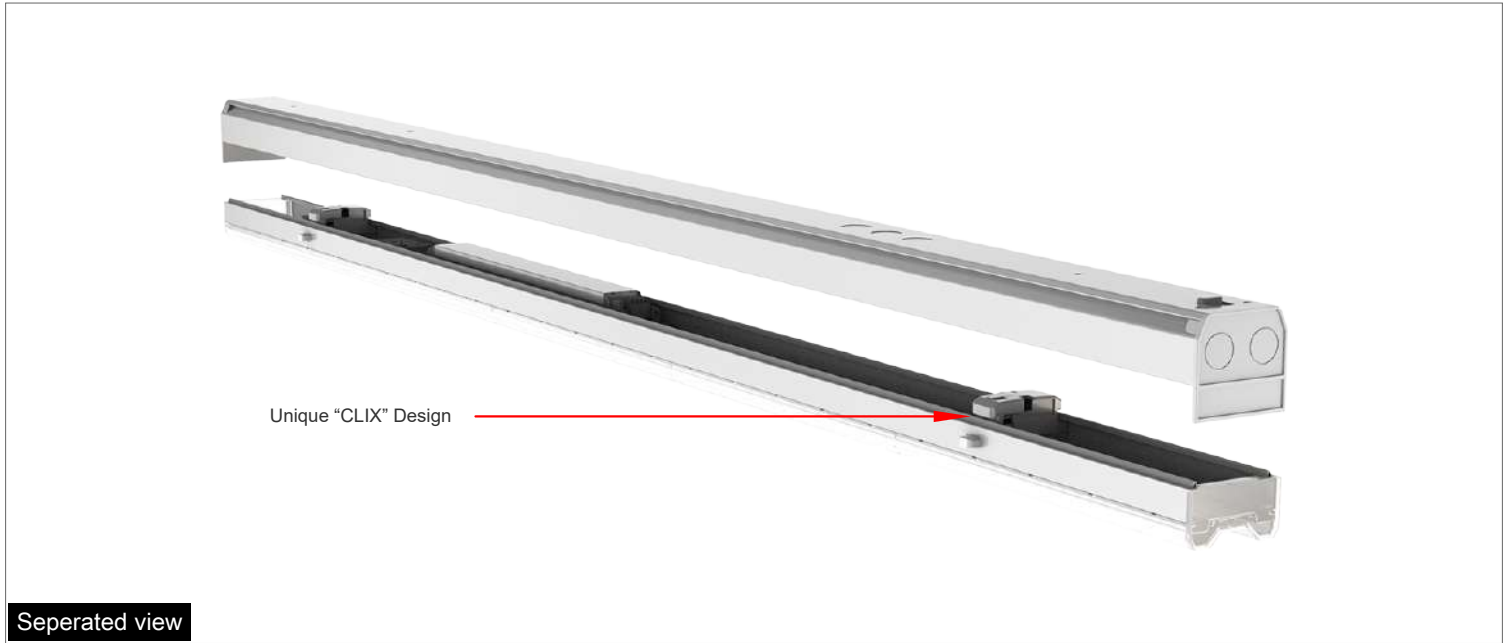
Side view 2



Front view

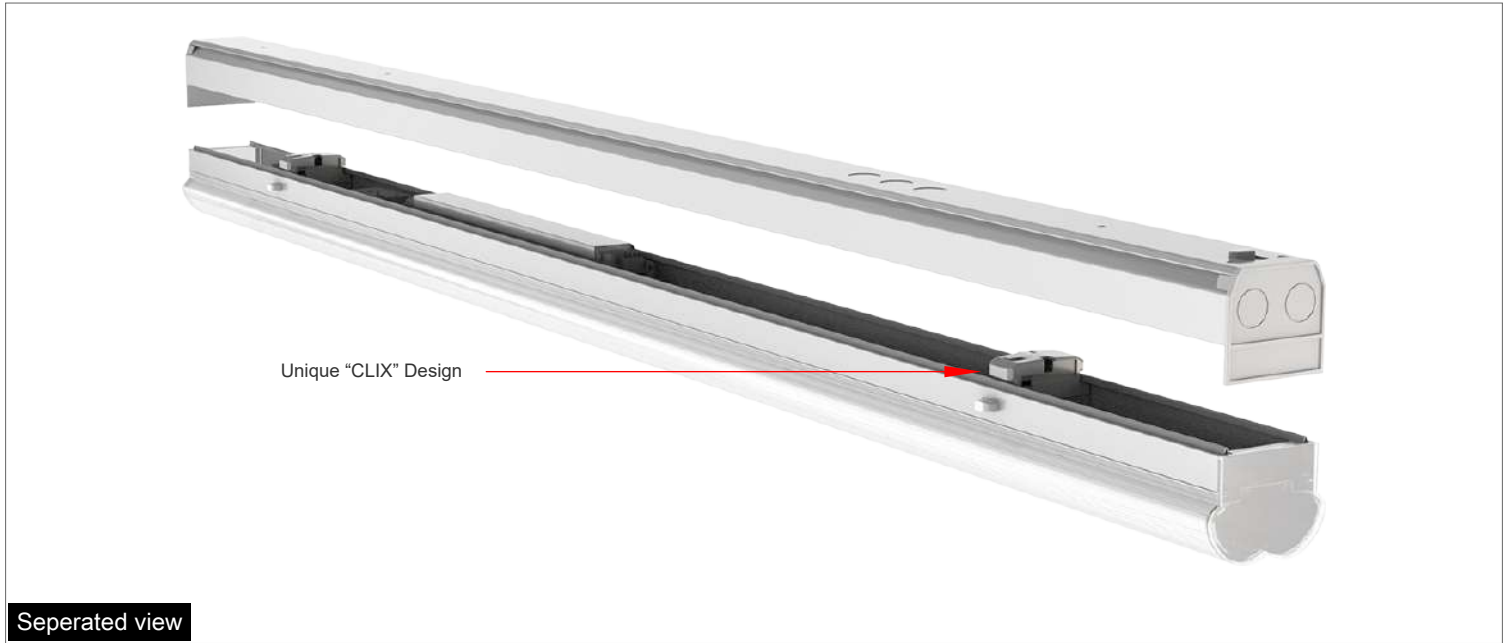
APPEARANCE - Single Lamp(Excluding 130°)

ISO view



APPEARANCE - Continuous Lamp(PC Cover, 130°)

ISO view

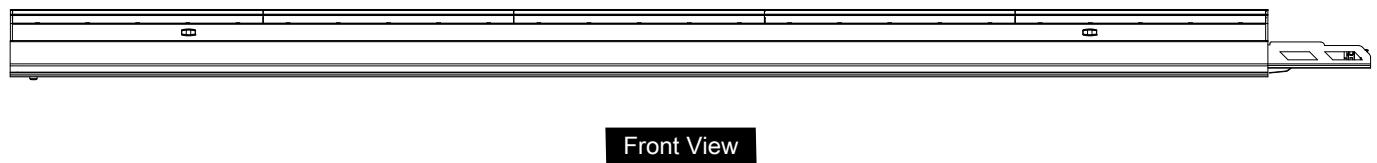
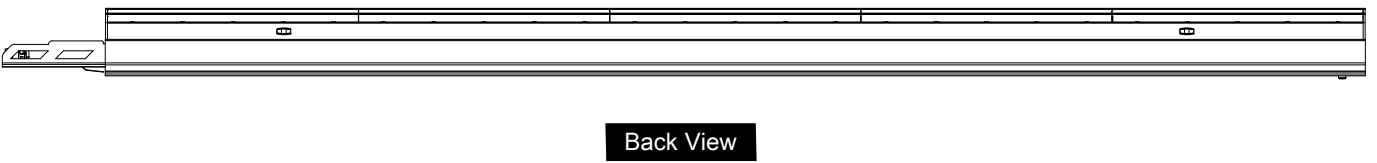
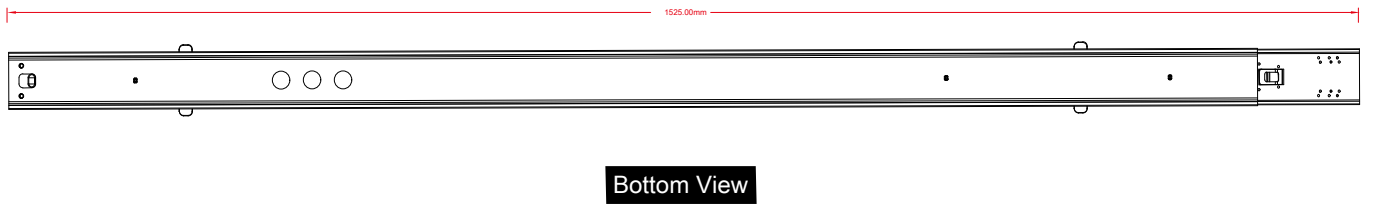
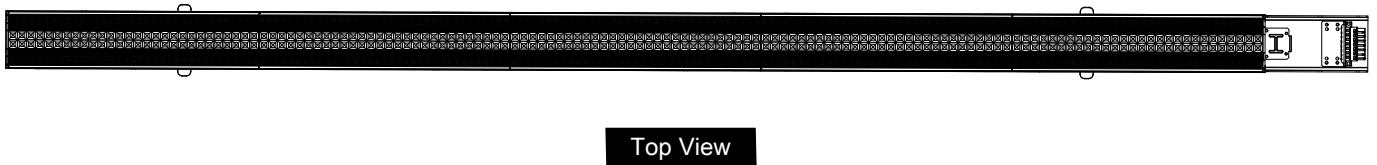
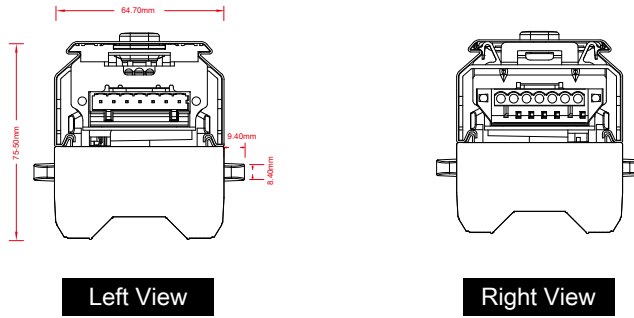
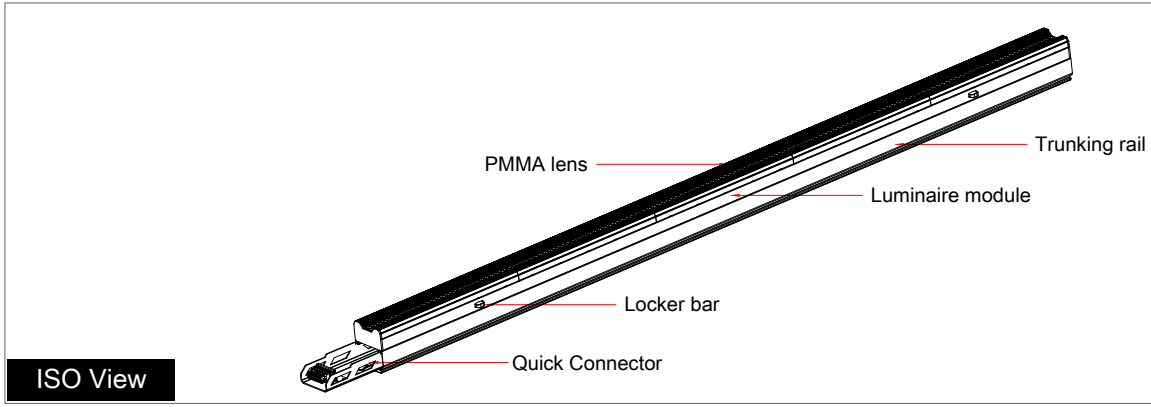


Seperated view



Front view

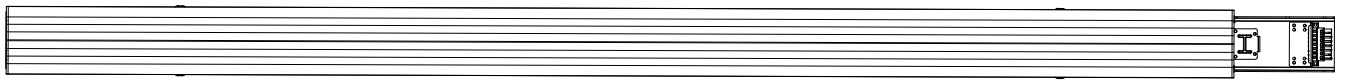
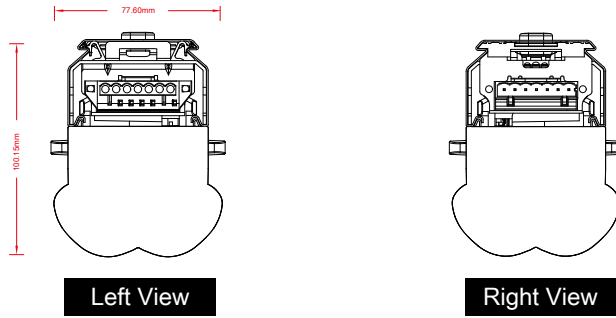
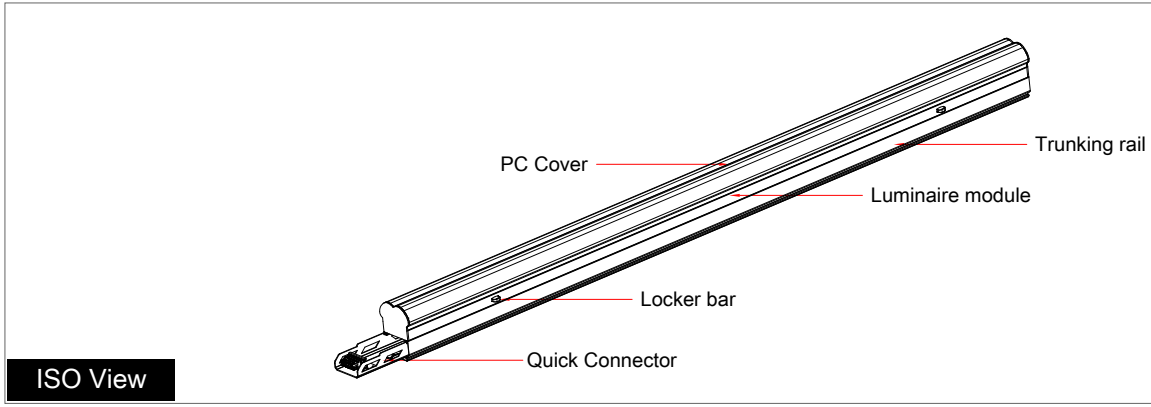
DRAWING - Continuous Lamp(Excluding 130°)



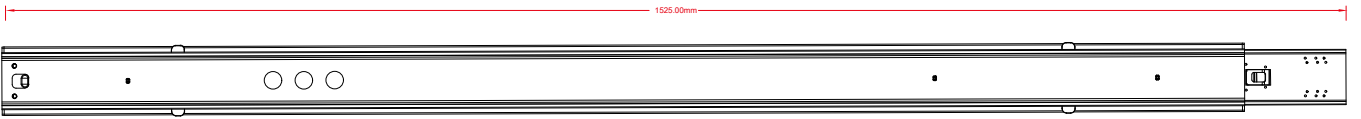
Continuous Lamp	L1	L2	Width	Height
5FT	1525	1410	65	76
10FT	2935	2820	65	76

unit: mm

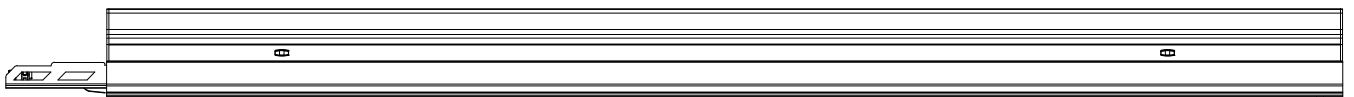
DRAWING - Continuous Lamp(PC Cover, 130°)



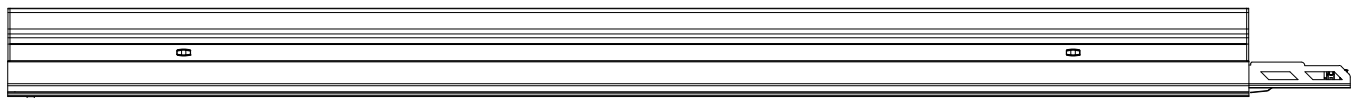
Top View



Bottom View



Back View

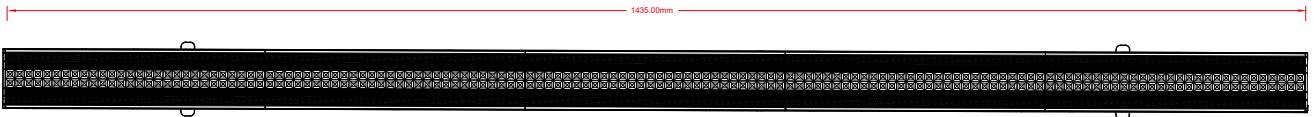
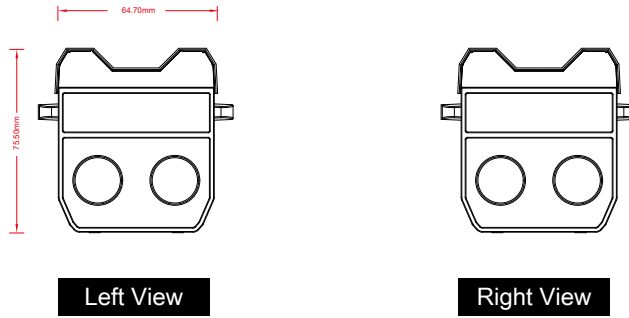
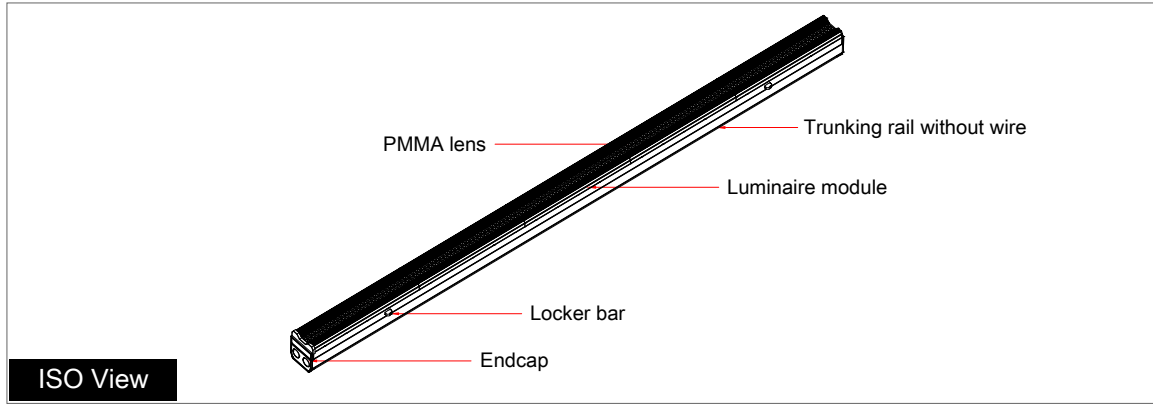


Front View

Continuous Lamp	L1	L2	Width	Height
5FT	1525	1410	78	100
10FT	2935	2820	78	100

unit: mm

DRAWING - Single(Excluding 130°)



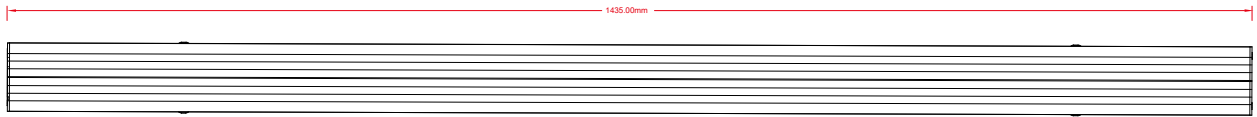
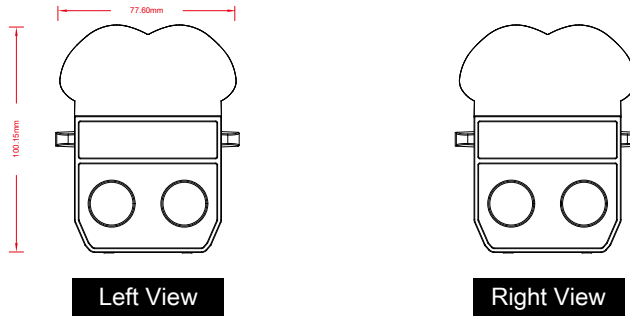
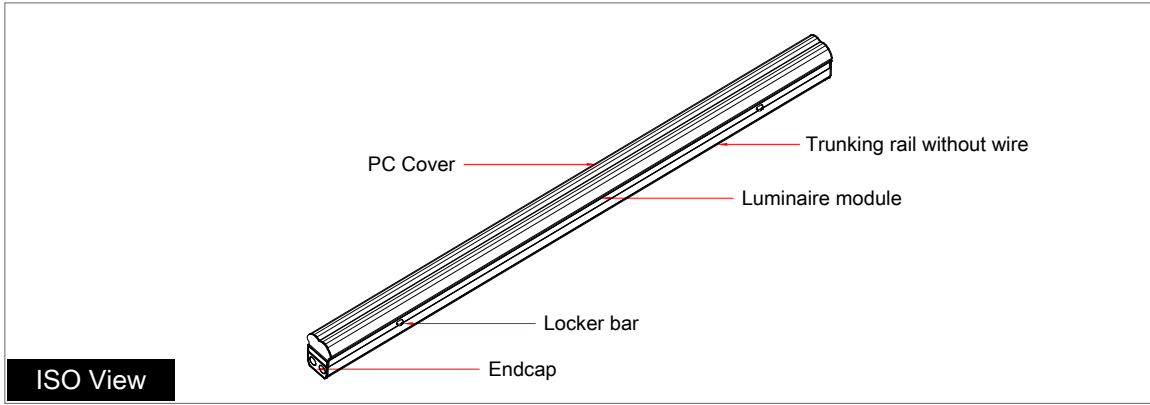
Note: Every single lamp is pre-wired with terminal block for power supply.
The total length of cable is 1.5m. The external length is 1.0m.



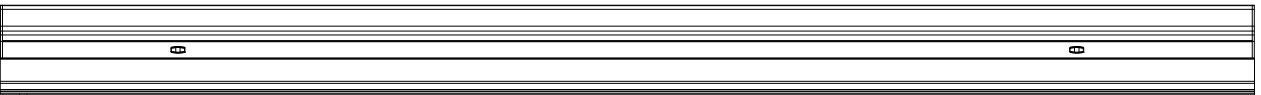
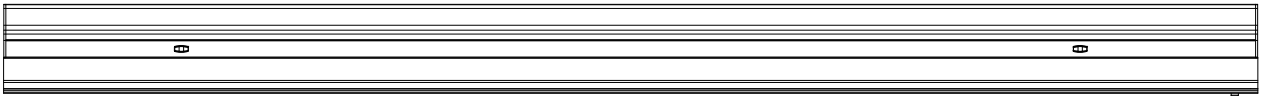
Single Lamp	L1	L2	Width	Height
5FT	1435	1410	65	76
10FT	2845	2820	65	76

unit: mm

DRAWING - Single Lamp(PC Cover, 130°)



Note: Every single lamp is pre-wired with terminal block for power supply.
The total length of cable is 1.5m. The external length is 1.0m.



Single Lamp	L1	L2	Width	Height
5FT	1435	1410	78	100
10FT	2845	2820	78	100

unit: mm